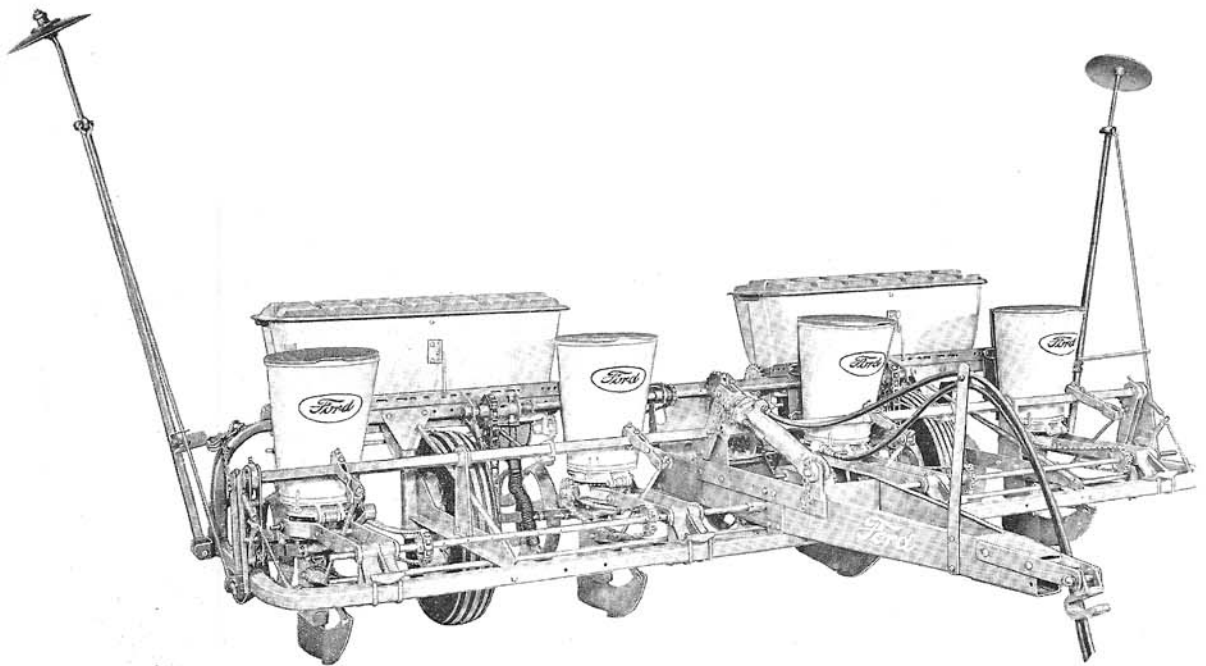


Ford
**FOUR ROW
PULL TYPE PLANTER**

Series 311

PARTS BOOK



APRIL, 1963

**TRACTOR AND IMPLEMENT OPERATIONS (U.S.)
FORD TRACTOR DIVISION FORD MOTOR COMPANY
BIRMINGHAM, MICHIGAN**

Planter

MODEL INDEX

<u>Model No.</u>	<u>Description</u>	<u>Group</u>
12-183	One Bushel Corn Hopper, Less Seed Plate, See Series 310 Book, Pages 48, 49	
12-184	One-half Bushel Corn Hopper, Less Seed Plate, See Series 310 Book, Pages 48, 49	
12-185	One Bushel Corn & Cotton Hopper Assembly, See Series 310 Book, Pages 48, 49	
12-186	One-half Bushel Corn & Cotton Hopper Assembly, See Series 310 Book, Pages 48, 49	
12-209	Seed Press Wheel, 1 x 10	4-3
12-211	Spoon Coverer	4-4
12-212	Down Pressure Spring Assembly	1-5
12-220	Peanut Hopper Attachment, See Series 310 Book, Page 52	
12-228	Attachment, Bed Sweep, See Series 310 Book, Pages 35, 36	
12-233	Hook Marker for Wide Rows (Pair)	5-1
12-234	Hook Marker for Narrow Rows (Pair)	5-1
12-241	Basic 4 Row Planter Frame W/Runner Openers, Less Hoppers and Scrapers	1,3-1,2
12-242	Basic 4 Row Planter Frame W/Double Disc Openers, Less Hoppers and Scrapers	1,3-1,2
12-243	Basic 4 Row Planter Frame W/Runner Openers, Less Hoppers and Scrapers	1,3-1,2
12-244	Basic 4 Row Planter Frame W/Double Disc Openers, Less Hoppers & Scrapers - Drill Planter Only	1,3-1,2
12-245	Fiberglass Fertilizer Attachment	2-1
12-246	Disc Fertilizer Opener	4-1
12-247	Disc Furrower Attachment	4-2
12-248	Disc Markers for 4 Wide Rows (Pair)	5-1
12-249	Disc Markers for Narrow Rows (Pair)	5-1
12-257	Scraper for 16" Press Wheel	3-3
106000	Cylinder, Remote, DA, 2-1/4 x 5	6-1
108791	Opener Support Attachment - Replaces 129612, See Series 310 Book, Page 45	
129613	Gauge Shoe Sweep (Pair) See Series 310 Book, Page 45	
129614	Short Wing Sweep, See Series 310 Book, Page 45	
230560	Cylinder, Remote, DA, 2-1/4 x 8	6-1
311683	Kit, Hose, DA	6-1
	Seed Plates, See Series 310 Book, Pages 35, 36	

Planter

GROUP INDEX

<u>Group No.</u>	<u>Description</u>	<u>Page No.</u>
1-1	Frame Parts, 12-241, 242, 243, 244	5,6
1-2	Clutch & Shaft Parts, 12-241, 242, 243, 244	9,10
1-3	Gear Assembly Parts, 12-241, 242	12,13
1-4	Boot & Runner Parts, 12-241, 242, 243, 244	14,15
1-5	Hopper Support Parts, 12-241, 242, 243, 244	16,17
2-1	Fertilizer Hopper Assembly, 12-245	18,19
3-1	Ground Drive Parts, 12-241, 242, 243, 244	20,21
3-2	Support, Runner & Disc Parts, 12-242, 244	22,23
3-3	Frame & Press Wheel Parts, 12-241, 242, 243, 244, 257	25
4-1	Attachment, Disc Fertilizer Opener, 12-246	26,27
4-2	Attachment, Disc Furrowing, 12-247	28
4-3	Attachment, Seed Press Wheel, 12-209	29
4-4	Attachment, Spoon Coverer, 12-211	30
5-1	Disc & Hook Markers, 12-233, 234, 248, 249	33,34
6-1	Remote Control Parts	35

Planter

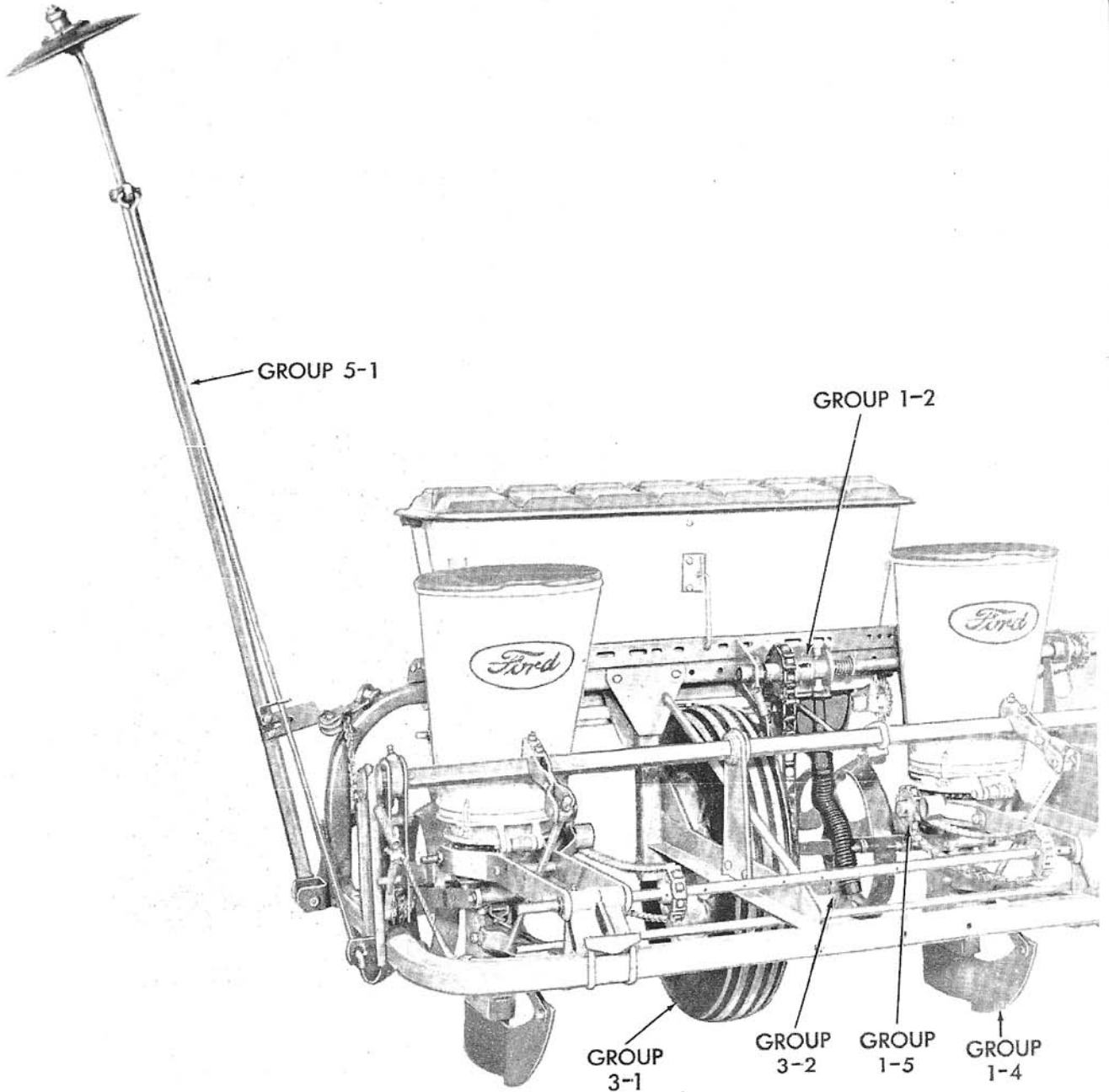
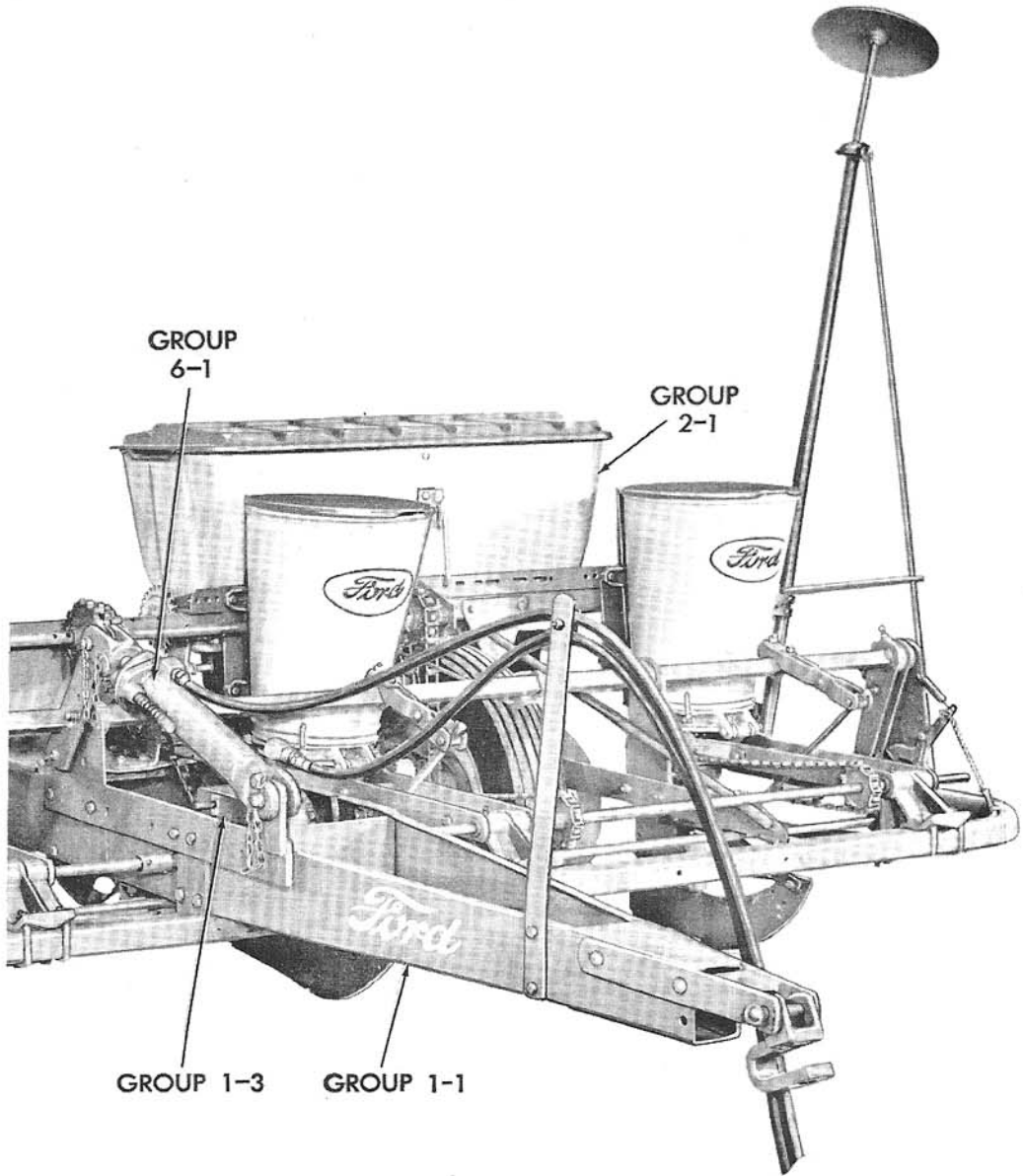


Figure A --

Planter



Series 311 Pull Planter

Planter

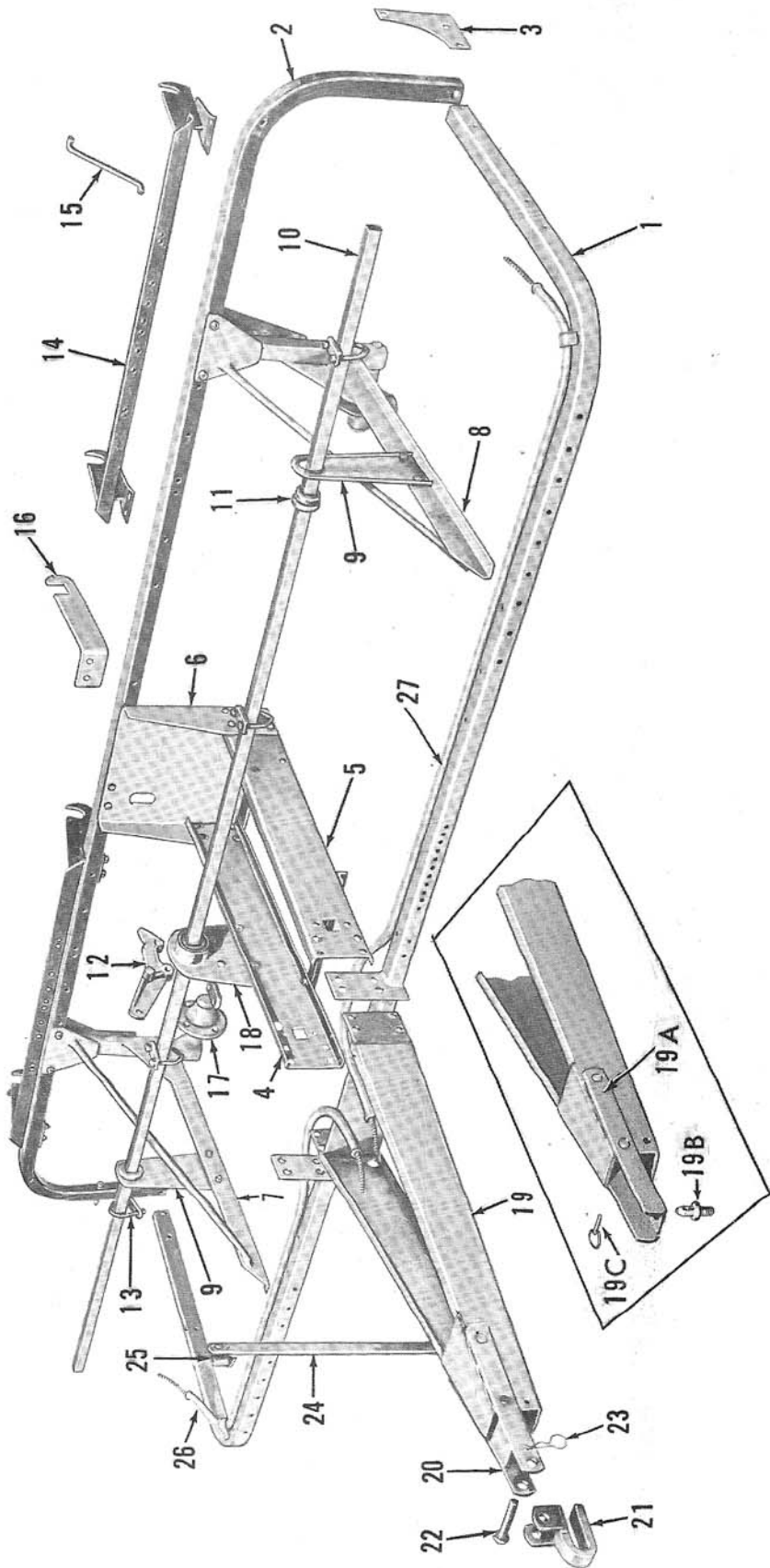


Figure 1 - Frame Parts

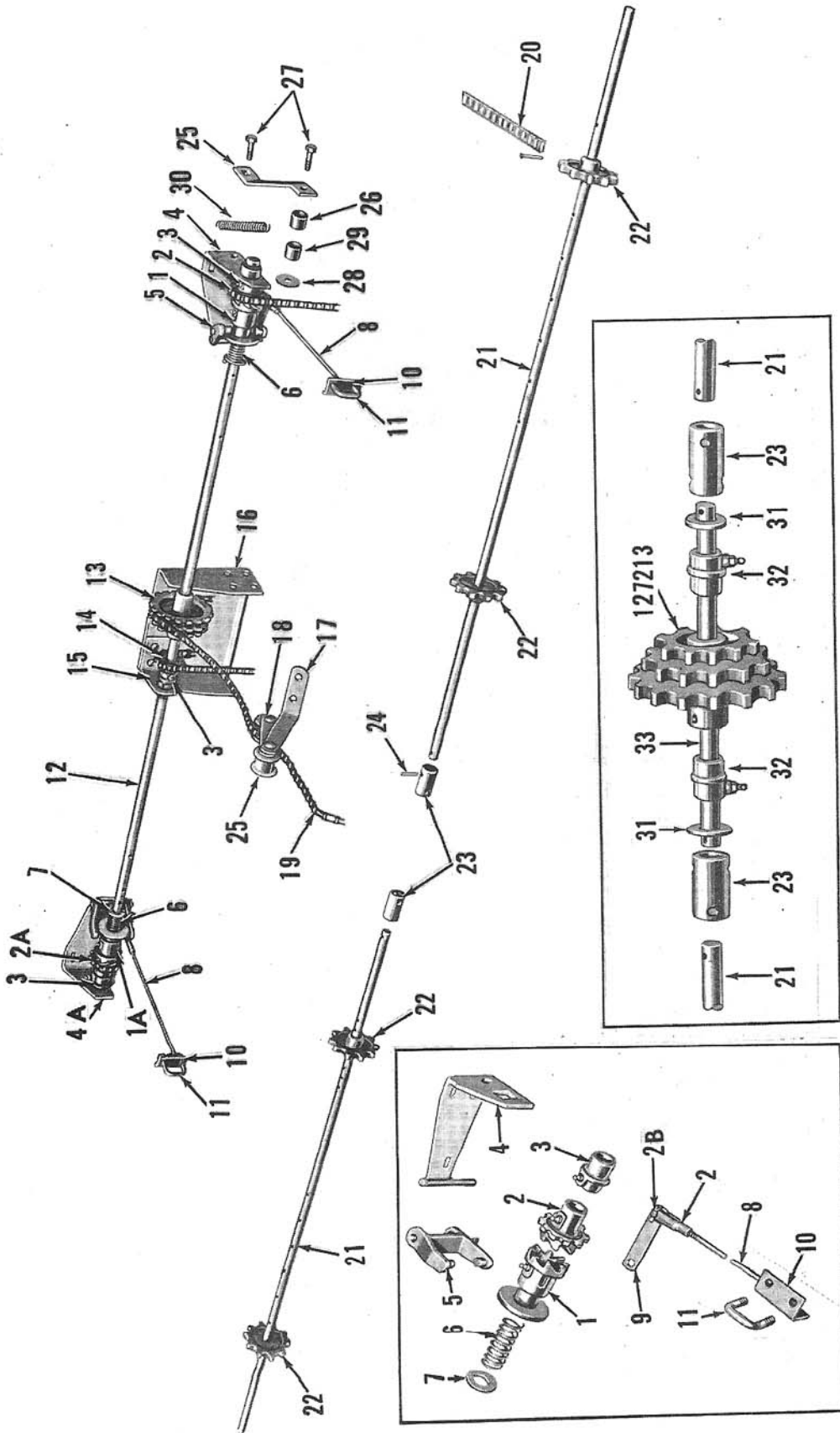
Planter

FIG.	PART NO.	NAME AND DESCRIPTION	QTY. REQ.
1		<u>GROUP 1-1 FRAME PARTS</u>	12-241 12-242 12-243 12-244
	12-241	PLANTER, Four Row Pull Hilldrop or Drill W/Runner Opener	
	12-242	PLANTER, Four Row Pull Hilldrop or Drill W/Double Disc Openers	
	12-243	PLANTER, Four Row Pull Drill W/Runner Opener	
	12-244	PLANTER, Four Row Pull Drill W/Double Disc Openers	
1	127038	BAR ASSEMBLY, Tool-Front	1
2	126945	BAR ASSEMBLY, Tool-Rear	1
3	126944	BRACE, Corner)	2
-	302731-S8	BOLT, 7/16 - 1 1/4 x 2-3/4 Hex Hd) Front Bar Assy.	4
-	302732-S8	BOLT, 7/16 - 1 1/4 x 3 Hex Hd) to Rear Bar	4
-	34808-S7	LOCKWASHER, 7/16) Assembly	8
-	34670-S8	NUT, 7/16 - 1 1/4 Hex)	8
4	126980	FRAME, Center, Right	1
5	126981	FRAME, Center, Left	1
6	127006	SUPPORT ASSEMBLY, Center Frame Rear	1
-	303201-S8	BOLT, 1/2 - 13 x 1 Hex Hd)	8
-	34809-S7	LOCKWASHER, 1/2) Center Frame to Rear Frame	8
-	33799-S8	NUT, 1/2 - 13 Hex)	8
-	302345-S8	BOLT, 7/16 - 1 1/4 x 2-3/4 Carr)	1
-	302346-S8	BOLT, 7/16 - 1 1/4 x 3-1/4 Carr) Support to	2
-	34808-S7	LOCKWASHER, 7/16) Rear Tool Bar	3
-	34670-S8	NUT, 7/16 - 1 1/4 Hex)	3
7	127020	SUPPORT ASSEMBLY, Drive Wheel, Right	1
8	127021	SUPPORT ASSEMBLY, Drive Wheel, Left	1
9	126969	SUPPORT, Rockshaft	2
10	127090	ROCKSHAFT ASSEMBLY	1
11	126965	BEARING	4
--	121466	RING, Snap - Bearing to Support	4
12	126967	LATCH, Chain Lift	2
--	20430-S8	BOLT, 7/16 - 1 1/4 x 1-1/4 Hex	2
--	44730-S8	WASHER, 7/16 Flat	2
--	34808-S7	LOCKWASHER, 7/16	2
--	34670-S8	NUT, 7/16 - 1 1/4 Hex	2
13	131620	PLATE, Lift Arm	4
--	131621	"U" BOLT)	4
--	34808-S7	LOCKWASHER, 7/16) Arms to Tool Bar	8
--	34670-S8	NUT, 7/16 x 1 1/4 Hex)	8
14	127119	SUPPORT ASSEMBLY, Hopper	2
--	126927	LATCH, Self Locking	4
15	127092	STRUT, Hopper	2
--	72037-S8	PIN, 3/16 x 1 Cotter) Strut to Hopper & Support	2
--	111856	PIN, Hair)	2

Planter

FIG.	PART NO.	NAME AND DESCRIPTION	QTY. REQ.
1		<u>GROUP 1-1 FRAME PARTS (CONT.)</u>	12-241 242 243 244
16	127095	SUPPORT, Bearing	1
17	240861	HUB ASSEMBLY, Wheel	2
18	126979	SUPPORT ASSEMBLY, Rockshaft	1
--	303241-S8	BOLT, 1/2-13 x 1-1/2 Hex)	6
--	302772-S8	BOLT, 1/2-13 x 1-3/4 Hex)	2
--	302774-S8	BOLT, 1/2-13 x 2 Hex	2
--	303201-S8	BOLT, 1/2-13 x 1 Hex	2
--	44736-S8	WASHER, 1/2 Flat	2
--	34809-S7	LOCKWASHER	12
--	34805-S7	NUT, 1/2-13 Hex	12
		Center Frame & Anchor to Front Tool Bar and Rockshaft Support to Center Frame	
19	129935	TONGUE ASSEMBLY, Planter	1
--	302363-S8	BOLT, 7/16-14 x 1 Carr)	4
--	34808-S7	LOCKWASHER, 7/16	4
--	34670-S8	NUT, 7/16-14 Hex	4
		Frame to Tongue	
19A	129925 **	FRAME ASSEMBLY, Drawbar	1
19B	129948 **	PIN, Drawbar	1
19C	2N-608 **	LINCH PIN ASSEMBLY, Use W/129948	1
--	133445 **	NUT, 3/4-10 Elastic Stop	1
--	44748-S8 **	WASHER, 3/4 Flat	1
20	126531 *	FRAME ASSEMBLY, Drawbar	1
21	221672 *	CLEVIS ASSEMBLY, Drawbar	1
22	126538 *	PIN, Headed, .75 Dia)	1
23	111856 *	PIN, Hair	1
		Clevis to Frame	
24	126983	SUPPORT, Hydraulic Line	1
--	303199-S8	BOLT, 7/16-14 x 3/4 Hex)	2
--	34808-S7	LOCKWASHER, 7/16	2
--	34670-S8	NUT, 7/16-14 Hex	2
		Support to Tongue	
25	230705	CLIP, Upper Retainer	1
--	302333-S8	BOLT, 3/8-16 x 1-3/4 Carr)	1
--	34807-S7	LOCKWASHER, 3/8	1
--	33799-S8	NUT, 3/8-16 Hex	1
		Clip to Support	
26	127022	GUIDE, Rope, Right	1
27	127023	GUIDE, Rope, Left	1
--	305238	DECAL, Ford, 3-1/4 x 9-5/16	2
		* Prior to) 1963 Production	
		** Eff. W/)	

Planter



12-243, 244 W/O GEAR BOX

Figure 2 - Clutch & Shaft Parts

Planter

FIG.	PART NO.	NAME AND DESCRIPTION	QTY. REQ.
2		<u>GROUP 1-2 CLUTCH & SHAFT PARTS</u>	12- 241 242 243 244
1	126991	CLUTCH, Hopper Drive, Left	1
1A	126990	CLUTCH, Hopper Drive, Right	1
-	87901-S8	FITTING, 1/8 Lube - Drive Shaft	4
2	127011	SPROCKET, 11 Tooth Clutch, Left	1
2A	127010	SPROCKET, 11 Tooth Clutch, Right	1
2B	125502	PIN, 3/8 x 1 x 1-1/4 Button Hd Rivet	2
-	72017-S8	COTTER PIN, 1/8 x 3/4	2
3	101771	BEARING	3
-	87901-S8	FITTING, 1/8-27 x 3/4 Str	3
4	126989	SUPPORT ASSEMBLY, Bearing Mounted, Left	1
4A	126988	SUPPORT ASSEMBLY, Bearing Mounted, Right	1
-	133433 *	BOLT, 5/16-18 Hex - Shoulder)	2
-	303219-S8 **	BOLT, 7/16-14 x 1.25 Hex) Idler Arm to Support	2
-	129929 **	SPACER, .493 x .675 x .21)	2
-	127250	STRAP, Spring to Support	2
5	127001	YOKE, Clutch Throwout	2
6	101694	SPRING)	2
7	44754-S8	WASHER, 1 Flat) Yoke, Clutch	2
-	359626-S	PIN, 3/8 x 2 Spring) and Sprocket	2
-	352506-S	PIN, 1/4 x 1-1/2 Spring) to Shaft	2
-	72073-S8	PIN, 3/16 x 1-1/2 Cotter)	2
8	126485	ROD, Clutch Throwout	2
-	97013-S	CLEVIS, 3/8-24 x 2-1/2 Adj. - Rod to Control Arm	2
9	121426	ARM, Control	2
-	72017-S8	PIN, 1/8 x 3/4 Cotter	2
10	126525	BRACKET, Clutch Throwout Rod	2
11	126529	"U" BOLT)	2
---	34808-S7	LOCKWASHER, 7/16) Bracket to Rockshaft	4
---	34670-S8	NUT, 7/16 x 14 Hex)	4
12	127003	SHAFT, Drive	1
13	127072	SPROCKET, 14, 15, and 16 Tooth	1
---	127073	SPROCKET, 7, 8 and 16 Tooth (Models 12-243, 244)	1
---	126995	RIVET, 3/8 x 2 Button Hd - Drilled)	1
---	72017-S8	COTTER PIN, 1/8 x 3/4) Sprocket to Shaft	1
14	126998	SPROCKET, 8 Tooth	1
---	67866-S	PIN, 5/16 x 1-3/4 Spring - Sprocket to Drive Shaft	1
15	127002	BRACKET, Bearing	1
16	127006	SUPPORT ASSEMBLY, Center Frame Rear	1
---	303201-S7	BOLT, 1/2-13 x 1 Hex Hd)	8
---	34809-S7	LOCKWASHER, 1/2) Frame to Center Frame	8
---	33845-S8	NUT, 1/2-13 Hex) to Right Rear Support	8

Planter

FIG.	PART NO.	NAME AND DESCRIPTION	QTY. REQ.
2		<u>GROUP 1-2 CLUTCH & SHAFT PARTS (CONT.)</u>	12- 241 242 243 244
17	126971	BRACKET, Chain Tightener	1
--	126973	SUPPORT, Idler	1
--	126972	SUPPORT, Idler (Models 12-243, 244)	1
--	302363-S8	BOLT, 7/16-14 x 1 Carr) Bracket to Support and	2
--	303199-S8	BOLT, 7/16-14 x 1 Hex)	2
--	34808-S7	LOCKWASHER, 7/16) Support to Frame	4
--	34670-S8	NUT, 7/16 x 14 Hex)	4
18	126977	ARM, Chain Tightener	1
--	126898	ROLLER, Chain Idler	2
--	129841	SPACER	2
--	128035	WASHER, Idler)	4
--	302346-S8	BOLT, 7/16-14 x 3 1/4 Carr) Roller to Arm	1
--	302732-S8	BOLT, 7/16-14 x 3 Hex)	1
--	34808-S7	LOCKWASHER, 7/16) and Arm Bracket	2
--	34670-S8	NUT, 7/16 Hex)	2
--	129920 N.S.	CHAIN ASSEMBLY, #42 Detachable Steel Links Use 128313	1
19		CHAIN ASSEMBLY, #32 Detachable Steel Links Use 164101	1
20		CHAIN ASSEMBLY, #32 Detachable Steel Links Use 164101	4
21	127000	SHAFT, Hopper Drive	2
22	129575	SPROCKET, 10 Tooth	4
--	121194	SPROCKET, 7 Tooth (Models 12-243, 244)	4
--	305105	PIN, 1/4 x 1 3/8 Spring - Sprocket to Shaft	4
23	121424	COUPLING	2
24	354403-S7	PIN, 5/16 x 1 1/2 Spring Coupling to Shaft	2
25	129934	ARM, Idler	2
26	126898	ROLLER, Idler	2
--	303219-S8	BOLT, 7/16-14 x 1 1/2 Hex)	2
27	302345-S8	BOLT, 7/16-14 x 3 Carr)	2
28	128035	WASHER, 1/2 x 2 1/2 x 3/32 Idler) Roller Attaching	4
29	129841	SPACER, .493 x .675 x 1.94 Pipe)	2
--	34808-S7	LOCKWASHER, 7/16)	4
--	34670-S8	NUT, 7/16-14 Hex)	4
30	127251	SPRING, Idler	2 12-243 12-244
31	44746-S8	WASHER, 3/4 Flat	2
32	126974	BEARING, Hopper Drive	2
33	129987	Shaft SHAFT, Hopper Drive, 3/4 X 18.7	1

Planter

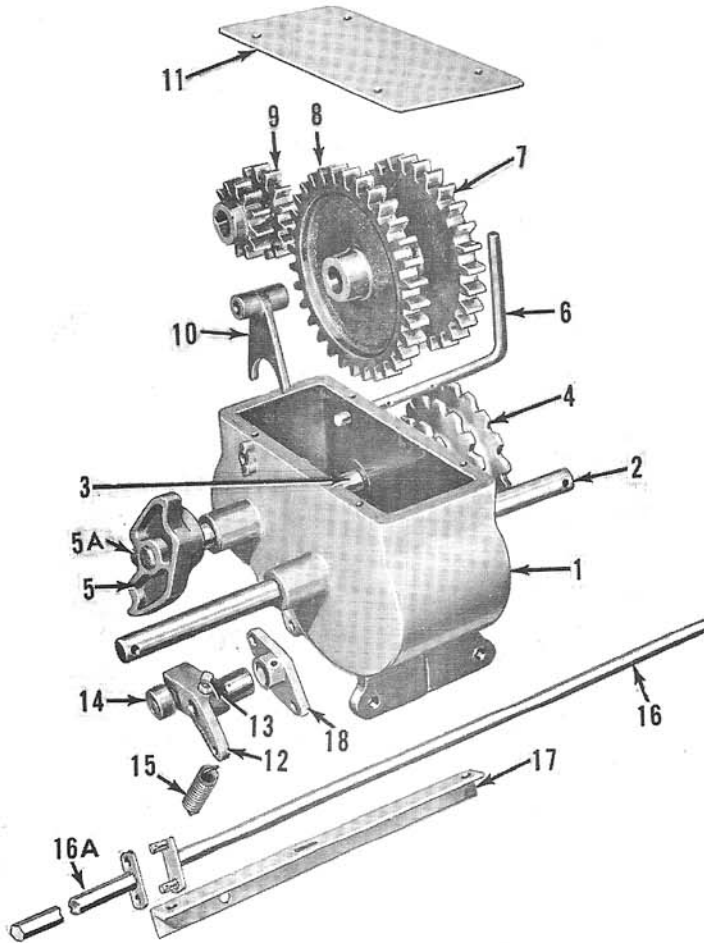


Figure 3 - Gear Assembly Parts

FIG.	PART NO.	NAME AND DESCRIPTION	QTY. REQ.
3		<u>GROUP 1-3 GEAR ASSEMBLY PARTS</u>	12- 241 242
-	126877	CASE ASSEMBLY, Gear	1
		Consists of:	
1	129985	CASE, Gear	1
2	127026	SHAFT, Seed Hopper Drive	1
3	127027	SHAFT, Main Drive	1
4	127214	SPROCKET, 9, 11, and 14 Tooth .888 Dia	1
4	127213	SPROCKET, 9, 11, and 14 Tooth 12-243,244 .78 Dia	1
-	354403-S7	PIN, 5/16 x 1 1/2 Spring - Sprocket to Seed Shaft	1
5	127205	CAM, Hilldrop Valve	1
5A	91456-S34	SET SCREW, 1/2-13 x 1 1/4 Sq Hd	1
-	33942-S8	NUT, 1/2-13 Hex Jam	1
6	127029	HANDLE, Gear Selector	1
7	127035	GEAR, 28 Tooth Spur	1
8	127034	GEAR, 32 Tooth Spur	1
-	354403-S7	PIN, 5/16 x 1 1/2 Spring - Retain Sprockets on Seed Hopper Drive Shaft . .	2

Planter

FIG.	PART NO.	NAME AND DESCRIPTION	QTY. REQ.
3		<u>GROUP 1-3 GEAR ASSEMBLY PARTS (CONT.)</u>	12- 241 242
9	127037	GEAR, 12 & 14 Tooth Cluster Spur	1
-	74183-S8	KEY, 1/4-1 Woodruff - To Retain Shaft	1
10	127030	YOKE, Gear Selector	1
--	305054	ROLL PIN, 3/16 x 3/4 - Handle to Yoke	2
11	127028	COVER, Gear Case	1
--	35001-S8	SCREW, 1/4-20 x 1/2 Rd Hd	4
--	34805-S7	LOCKWASHER, 1/4 - Cover to Gear Case	4
--	111856	PIN, Hair - To Locate Handle	1
12	127033	BEARING, Hilldrop Cam Follower	1
13	91404-S34	SET SCREW, 3/8-16 x 3/4)	1
--	33924-S8	NUT, 3/8-16 Hex Jam) Bearings to Hex Shaft	1
14	149300	BEARING ASSEMBLY, Cam Follower	1
--	34807-S7	LOCKWASHER, 3/8)	1
--	33925-S8	NUT, 3/8-24 Hex Jam) Cam Follower to Bearing	1
15	127032	SPRING, Extension	1
16	127024	SHAFT ASSEMBLY, Yoke, 1 x 3.5 x 67	1
16A	127125	SHAFT, Plate, 1 x 3.5 x 61.5	1
17	126975	SUPPORT, Gear Case - Rear	1
--	303199-S8	BOLT, 7/16-14 x 1 Hex Hd)	2
--	303219-S8	BOLT, 7/16-14 x 1 1/4 Hex Hd) Gear Case to	1
--	302732-S8	BOLT, 7/16-14 x 3 Hex Hd)	2
--	34808-S7	LOCKWASHER, 7/16) Support & Frame	5
--	34670-S8	NUT, 7/16-14 Hex)	5
--	127025	BOLT, Bent)	1
--	34689-S8	NUT, 7/16-14 Hex Jam) Gear Case Support	2
--	126972	SUPPORT, Idler - Models 12-243, 244	1
--	126973	SUPPORT, Idler	1
18	127031	BEARING, Gear Case	1
--	87924-S8	FITTING, Lube, 1/4-28 x 90° - Bearing	1

Planter

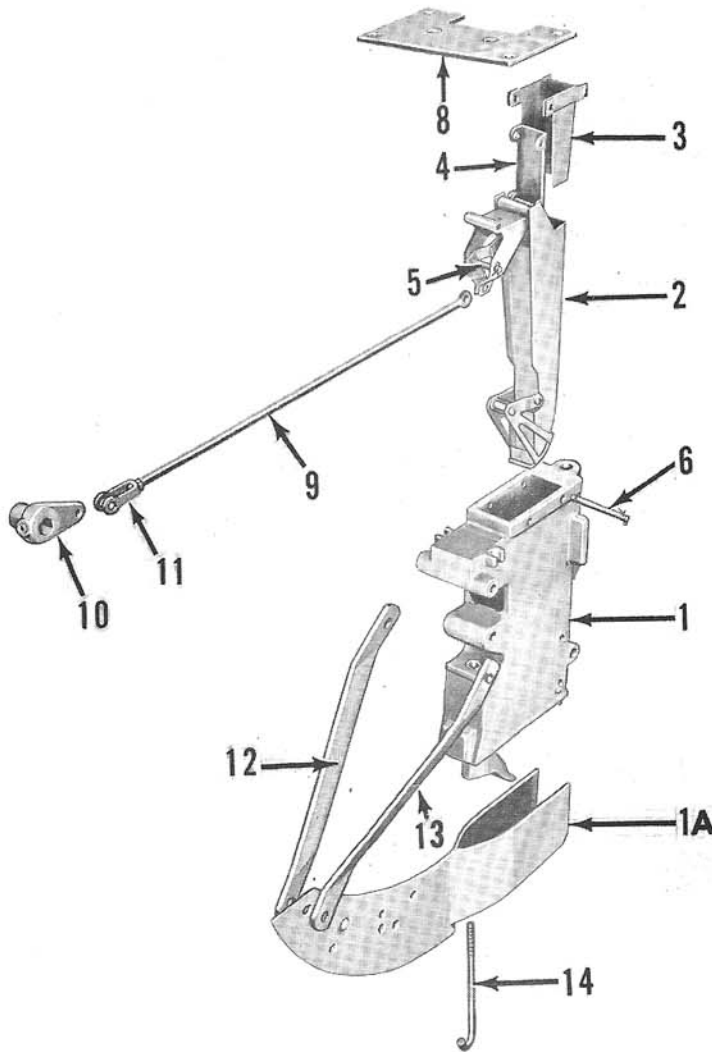


Figure 4 - Boot & Runner Parts

FIG.	PART NO.	NAME AND DESCRIPTION	QTY. REQ.			
			12-241	12-242	12-243	12-244
4		<u>GROUP 1-4 BOOT & RUNNER PARTS</u>				
1	127201	BOOT, Runner Support	4	4	4	4
1A	129986	RUNNER ASSEMBLY, Opener	4		4	
-	303199-S8	BOLT, 7/16-14 x 1 Hex)	4		4	
-	34808-S7	LOCKWASHER, 7/16) Runner to Base	4		4	
-	34670-S8	NUT, 7/16-14 Hex)	4		4	
2	222134	VALVE ASSEMBLY, Hill drop	4	4		
3	126921	HOUSING, Upper Valve	4	4		
4	121384	LINK ASSEMBLY, Upper Valve	4	4		
5	73984-S	PIN, 1/4 x 1 9/32 Clevis) Link to Trunnion	4	4		
-	72003-S8	COTTER PIN, 1/16 x 1/2)	4	4		
6	121401	PIN, Valve Hinge	4	4		

Planter

FIG.	PART NO.	NAME AND DESCRIPTION	QTY. REQ.			
			12-241	12-242	12-243	12-244
4		<u>GROUP 1-4 BOOT & RUNNER PARTS (CONT.)</u>				
8	126951	PLATE, Hopper Support Mounting	4	4	4	4
-	302345-S8	BOLT, 7/16-14 x 3 Carr)	8	8	8	8
-	34808-S7	LOCKWASHER, 7/16)	8	8	8	8
-	44730-S8	WASHER, 7/16 Flat) Plate to Boot	8	8	8	8
-	34670-S8	NUT, 7/16-14 Hex)	8	8	8	8
9	126954	ROD, Valve Trip	4			
-	126961	ROD, Hill Drop Pull		4		
-	33923-S8	NUT, 5/16-24 Jam - Rod	4	4		
-	303173-S8	BOLT, 1/4-20 x 3/4 Hex)	4	4		
-	121399	SPACER)	4	4		
-	34805-S7	LOCKWASHER, 1/4) Rod to Boot	4	4		
-	33795-S8	NUT, 1/4-20 Hex)	4	4		
10	126956	ARM, Valve Trip	4	4		
--	91404-S34	SET SCREW, 3/8-16 x 3/4 Sq Hd) Attaches Arm	4	4		
--	33924-S8	NUT, 3/8-16 Hex - Jam)	4	4		
11	97012-S	CLEVIS, 5/16-24 x 2 1/4 Adj. Valve Trip Arm	4	4		
--	76183-S8	PIN, 5/16 x 63/64 Clevis)	4	4		
--	72005-S8	COTTER PIN, 1/8 x 1/2) Clevis to Arm	4	4		
12	129930	BRACE, Runner, Right	4		4	
13	129931	BRACE, Runner, Left	4		4	
--	132068	BUSHING, Pivot	8	8	8	8
--	302738-S8	BOLT, 7/16-14 x 4 1/2 Hex)		4	4	4
--	44731-S8	WASHER, 7/16 Flat) Arm & Brace	8	8	8	8
--	34808-S7	LOCKWASHER, 7/16)	4	4	4	4
--	34670-S8	NUT, 7/16-14 Hex) to Boot	4	4	4	4
--	302736-S8	BOLT, 7/16-14 x 4 Hex)	4		4	
14	121485	"J" BOLT	4	4	4	4
--	34808-S7	LOCKWASHER, 7/16) Runner to Boot	4	4	4	4
--	34670-S8	NUT, 7/16-14 Hex)	4	4	4	4

Planter

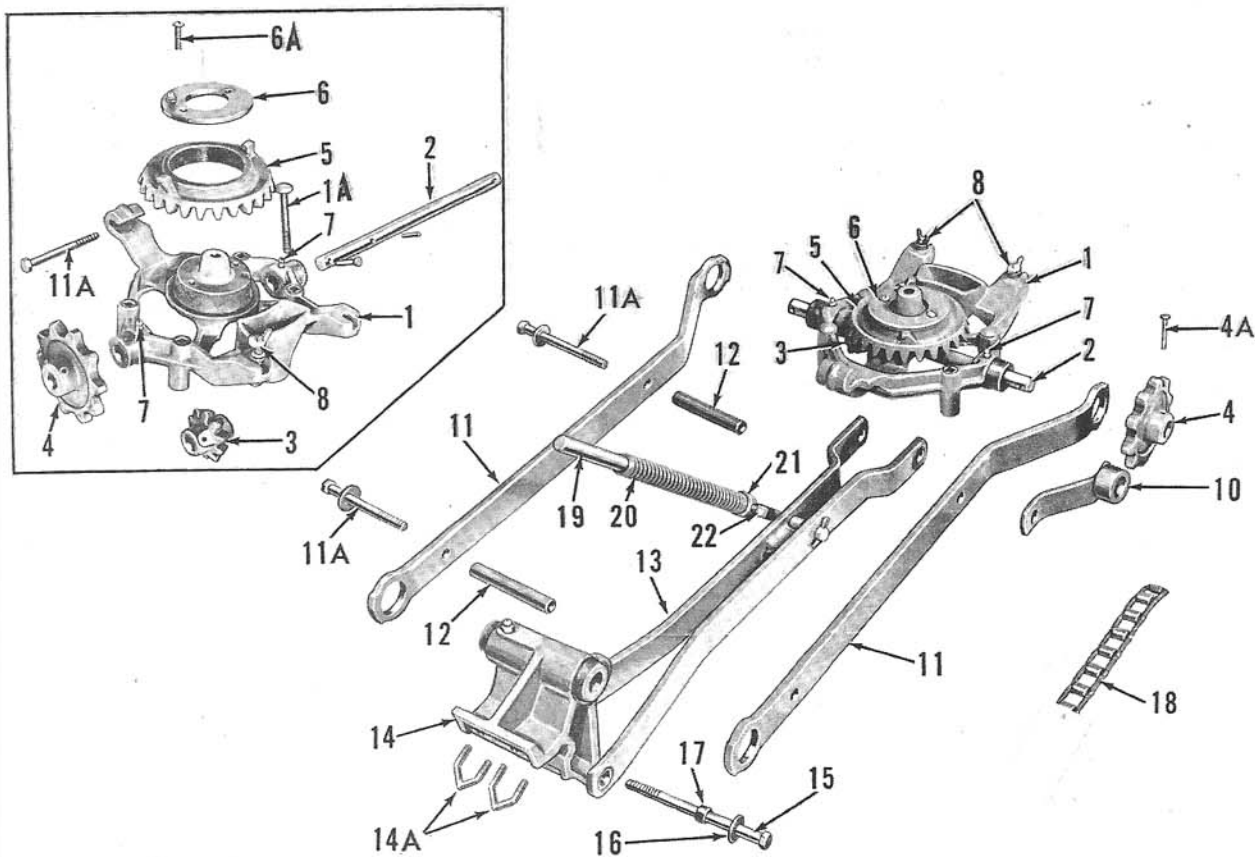


Figure 5 - Hopper Support Parts

FIG.	PART NO.	NAME AND DESCRIPTION	QTY.	REQ.
5		<u>GROUP 1-5 HOPPER SUPPORT PARTS</u>	12- 241 243	12- 242 244
1	126470	SUPPORT, Hopper	4	4
1A	302414-S8	BOLT, 3/8-16 x 3 Carr	16	16
-	34807-S8	LOCKWASHER	16	16
-	33799-S8	NUT, 3/8-16 Hex	16	16
2	127100	SHAFT, Seed	4	4
3	126530	PINION, 10 Tooth Bevel	4	4
-	305105-S7	PIN, 1/4 x 1 3/8 Spring - To Retain Spring	4	4
4	129575	SPROCKET, 10 Tooth	4	4
4A	305105	PIN, 1/4 x 1 3/8 Spring - Sprocket to Shaft	4	4
5	199775	GEAR, 25 Tooth Bevel	4	4
6	109782	DISC, Retainer	4	4
6A	35121-S8	BOLT, 1/4-20 x 3/8 Thin Rd Hd	8	8
-	34805-S7	LOCKWASHER, 1/4	8	8
-	34095-S8	NUT, 1/4-20 Sq Hd	8	8

Planter

FIG.	PART NO.	NAME AND DESCRIPTION		QTY. REQ.
5		<u>GROUP 1-5 HOPPER SUPPORT PARTS (CONT.)</u>	12- 241 243	12- 242 244
7	87907-S8	FITTING, 1/4-28 Lube - Hopper Support Lube	12	12
-	44722-S8	WASHER, 5/16 Flat	8	8
-	34806-S7	LOCKWASHER, 5/16	8	8
8	33896-S8	NUT, 5/16-18 Wing	8	8
10	127047	TIGHTENER ASSEMBLY	4	4
--	302742-S8	BOLT, 7/16-14 x 5 1/2 Hex)	4	4
--	132068	BUSHING, Pivot)	8	8
--	44731-S8	WASHER, 7/16 Flat)	8	8
--	34808-S7	LOCKWASHER, 7/16)	4	4
--	34670-S8	NUT, 7/16 x 14 Hex)	4	4
) Arm to Planter and Runner Opener Assembly		
11	127049	ARM, Hopper Support Pivot	8	8
11A	302742-S8	BOLT, 7/16-14 x 5 1/2 Hex)	8	8
12	121487	SPACER)	8	8
--	34808-S7	LOCKWASHER, 7/16)	8	8
--	34670-S8	NUT, 7/16-14 Hex)	8	8
) Arms to Anchor & Hopper Support		
13	129928	ARM ASSEMBLY, Boot Pivot	4	4
14	127255	ANCHOR, Support & Boot Arm	4	4
14A	127045	"U" BOLT, Fastens 127255 to Frame	8	8
15	302742-S8	BOLT, 7/16-14 x 5 1/2 Hex)	8	8
16	44731-S8	WASHER, 7/16 Flat)	8	8
17	132068	BUSHING, Pivot)	8	8
--	34808-S7	LOCKWASHER)	4	4
--	34670-S8	NUT, 7/16-14 Hex)	4	4
) Anchor to Arm		
18		CHAIN ASSEMBLY, #32 Detachable Steel Link Use 164101	4	4
19	126955	ROD, Lift	4	
--	72055-S8	COTTER PIN, 5/16 x 1 1/4 - Lift Rod	4	
		<u>MODEL 12-212 ATTACHMENT DOWN PRESSURE</u>		
20	132076	SPRING, Rotary Hoe Attaching	AR	AR
21	114121	COLLAR, Set	AR	AR
22	91371-S34	SET SCREW, 7/16-14 x 1/2	AR	AR

Planter

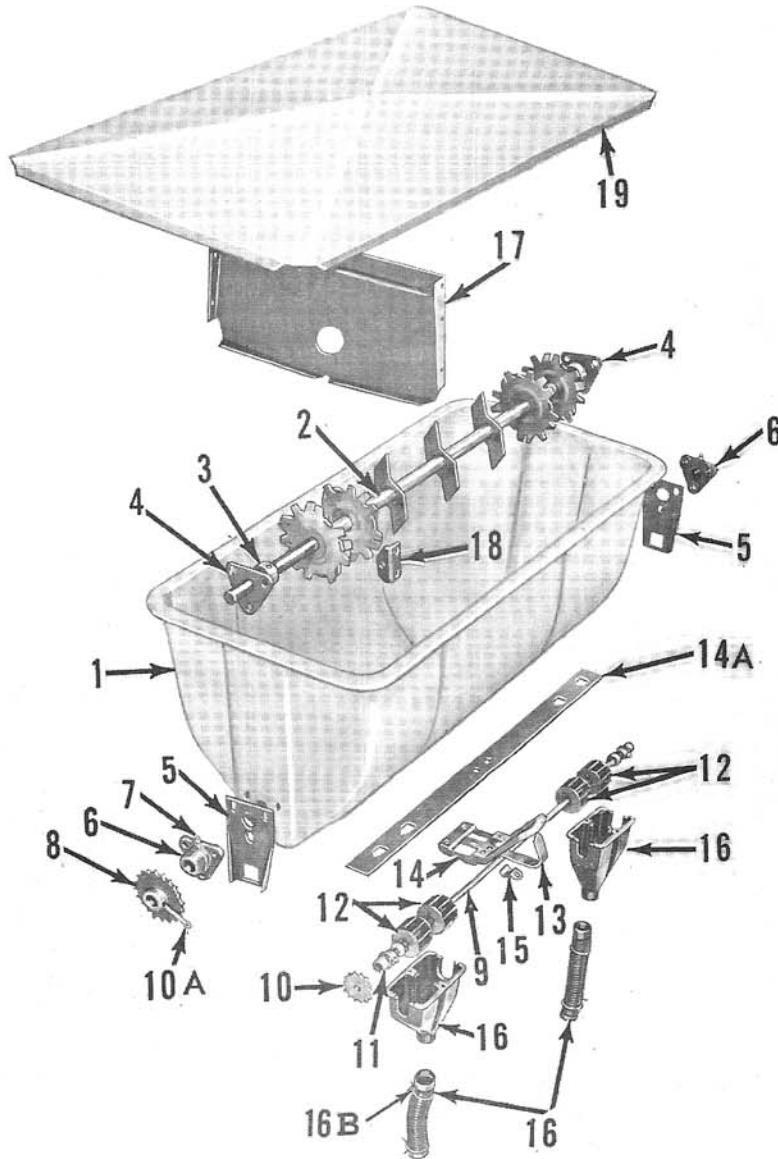


Figure 6 - Fertilizer Hopper Assembly, 2-400#

FIG.	PART NO.	NAME AND DESCRIPTION	QTY. REQ.
6		<u>GROUP 2-1 FERTILIZER HOPPER ASSY., 2-400#</u>	<u>12-245</u>
1	127101	HOPPER, 40"	1
2	127056	AGITATOR ASSY	1
3	129032	COLLAR	2
-	300138-S34	SET SCREW, 3/8-16 x 3/4 (Collar on Agitator Shaft)	2
4	101732	PLATE, Thrust	2
5	101748	HANGER, Bearing Support	2
6	101534	BEARING	2
7	87901-S8	FITTING, 1/8 Straight Lube, Bearing	2

Planter

FIG.	PART NO.	NAME AND DESCRIPTION	QTY. REQ.
		<u>GROUP 2-1 FERTILIZER HOPPER ASSY. (CONT.)</u>	<u>12-245</u>
6			
8	127117	GEAR, 24 Tooth	1
-	91405-S34	SCREW, 7/16-14 x 3/4 Cup Pt. Set - Retain Gear . .	1
9	127055	SHAFT, Rotary Valve	1
10	127118	GEAR, 18 Tooth	1
10A	72109-S8	COTTER PIN, 3/16 x 1 3/4 Gear on Feed Shaft	1
11	133158	BEARING	2
--	87901-S8	FITTING, 1/8 Straight, Lube Bearing	2
--	44742-S8	WASHER, 5/8 Flat, to Align Gears	AR
12	129041	WHEEL, Rotary Valve	4
--	72255-S8	PIN, 3/16 x 1 Drive) Wheel on Feed Shaft	4
--	128889	WASHER)	8
--	357479-S8	PIN, 3/16 x 1, Rolled) Retain Bearings & Wheels	8
--	72037-S8	PIN, 3/16 x 1, Cotter) to Feed Shaft	2
13	126625	HANDLE, Shutter Control	1
--	133433	BOLT, 5/16-18 Hex Hd. Shldr.)	1
--	34806-S7	LOCKWASHER, 5/16) Handle to Gauge	1
--	33797-S8	NUT, 5/16-18 Hex)	1
14	121308	GAUGE, Hopper Feed	1
--	302354-S8	BOLT, 5/16-18 x 7/8 Carr)	4
--	34806-S7	LOCKWASHER, 5/16) Gauge to Hopper	4
--	33797-S8	NUT, 5/16-18 Hex)	4
--	44720-S8	WASHER, 5/16 Flat)	4
14A	126751	SHUTTER ASSY., 40" Hopper	1
15	121325	SUPPORT, Shaft	1
--	87907-S8	FITTING, 1/4-28 Straight - Lube Shaft	1
--	302355-S8	BOLT, 5/16-18 x 1 Carr)	1
--	44722-S8	WASHER, 5/16 Flat) Support to Hopper and	AR
--	34806-S7	LOCKWASHER, 5/16) Retain Shaft	1
--	33797-S8	NUT, 5/16-18 Hex)	1
16	126752	SPOUT, Fertilizer Hopper	2
--	302355-S8	BOLT, 5/16-18 x 1 Carr)	4
--	351565-S	WASHER, .38 ID x .88 OD x .18) Spout to Hopper	4
--	44722-S8	WASHER, 5/16 Flat)	4
--	33797-S8	NUT, 5/16-18 Hex)	4
16A	129878	HOSE, Fertilizer	4
16B	97345-S35	CLAMP, Hose, 2 Dia	8
17	127133	BAFFLE, Hopper	1
18	127094	BRACKET, Strut	1
--	20346-S8	BOLT, 5/16-18 x 3/4 Hex Hd)	2
--	34806-S8	LOCKWASHER, 5/16) To Baffle &	2
--	33797-S8	NUT, 5/16-18 Hex) Strut Bracket	2
--	20346-S8	BOLT, 5/16-18 x 3/4 Hex)	3
--	44724-S8	WASHER, 5/16 Flat) Baffle to	3
--	34806-S7	LOCKWASHER, 5/16) Hopper	3
--	33797-S8	NUT, 5/16-18 Hex)	3
19	128316	LID, Hopper, Steel	1

Planter

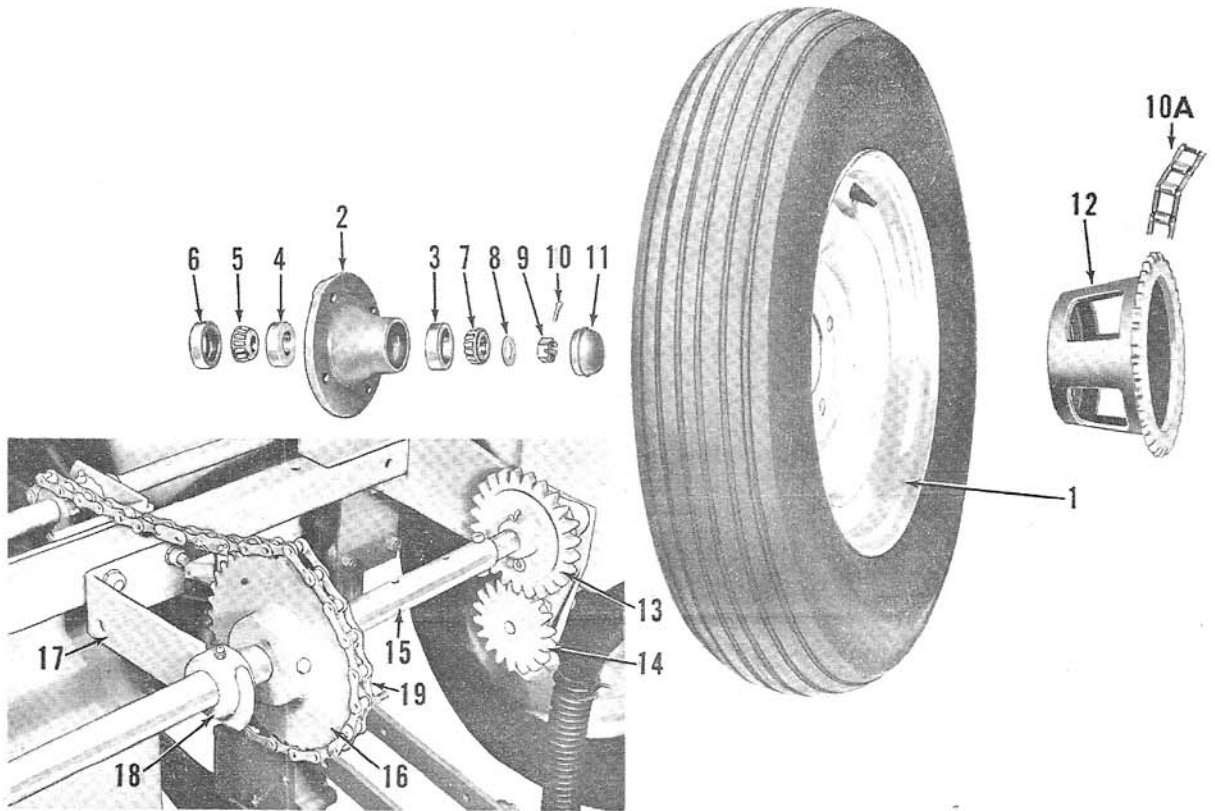


Figure 7 - Ground Drive Parts

FIG.	PART NO.	NAME AND DESCRIPTION	QTY. REQ.
7		<u>GROUP 3-1 GROUND DRIVE PARTS</u>	12- 241 242 243 244
1	149849	RIM & DISC ASSEMBLY, 4.00 x 15	2
2	240861	HUB ASSEMBLY, Wheel	2
		Consists of Hub plus:	
3	8A-1217-B	CUP	2
4	8A-1202-B	CUP	2
5	8A-1201-C	CONE & ROLLER ASSEMBLY	2
6	149848	SEAL ASSEMBLY	2
7	8A-1216-B	CONE & ROLLER ASSEMBLY	2
8	44742-S8	WASHER, 5/8 Flat)	2
9	33987-S8	NUT, 5/8-18 Slotted Hex) Hub to Spindle	2
10	72054-S8	COTTER PIN, 5/32 x 1 1/4)	

Planter

FIG.	PART NO.	NAME AND DESCRIPTION	QTY. REQ.
9		<u>GROUP 3-1 GROUND DRIVE PARTS (CONT.)</u>	12- 241 242 243 244
10A	128313	CHAIN ASSY., #42 Flat, 88 Links	AR
11	100514	CAP, Hub	2
12	127071	SPROCKET, 12 Tooth Basket	2
--	127114	STUD, 1/2-20 x 2.50)	8
--	2N-1012	NUT, Wheel Bolt Front) Rim and Disc and Basket	8
--	34809-S7	LOCKWASHER, 1/2) Sprocket to Hub	8
--	33846-S8	NUT, 1/2-20 Hex)	8
13	127117	GEAR, 24 Tooth	1
--	91405-S34	SCREW, 7/16-14 x 3/4 Cup Pt Set - Retain Gear in Agitator Shaft	1
14	127118	GEAR, 18 Tooth	1
--	72109-S8	COTTER PIN, 3/16 x 1 3/4 - Retain Gear on Feed Shaft	1
15	127070	TUBE, Coupler (Used on 12-245)	1
16	127099	SPROCKET, 24 Tooth (Used on 12-245)	1
--	302658-S8	BOLT, 5/16-18-2 1/2 Hex - Sprocket to Tube	1
--	34442-S8	NUT, 5/16-18 Lock - Sprocket to Tube	1
17	127095	SUPPORT, Bearing (Used on 12-245)	1
18	127007	BEARING, Hopper Drive (Used on 12-245)	1
--	87907-S8	FITTING, 1/4-28 Str. - Lube, Bearing	1
10	173048	CHAIN ASSEMBLY, (Used on 12-245)	1

Planter

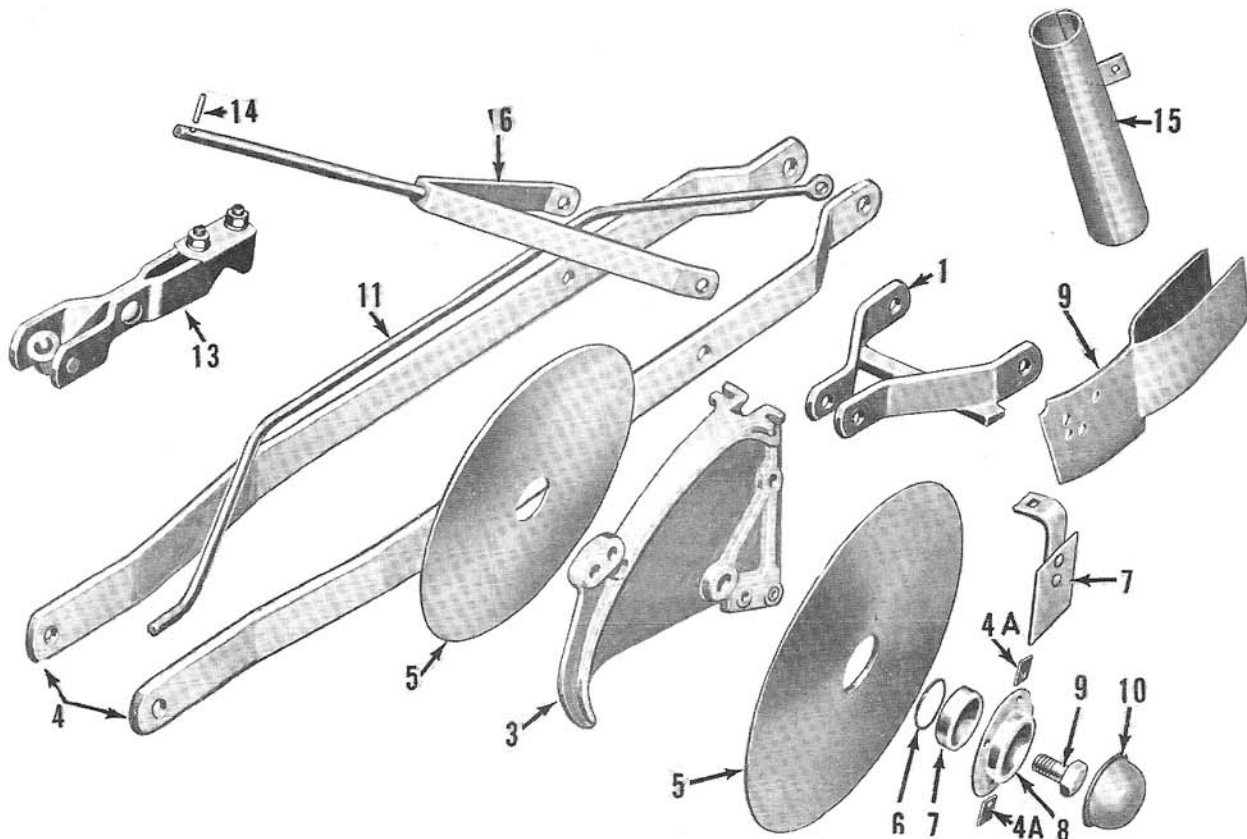


Figure 8 - Support, Runner & Disc Parts

FIG.	PART NO.	NAME AND DESCRIPTION	QTY. REQ.
8		<u>GROUP 3-2 SUPPORT, RUNNER & DISC PARTS</u>	12- 242 244
1	126791	SUPPORT, Double Disc Opener	4
2	126707	RUNNER ASSEMBLY	4
3	222115	SUPPORT, Double Disc Opener	4
4	126952	ARM, Runner Support, Boot Pivot	8
-	222080 **	DISC & BEARING ASSEMBLY	8
-	126604 *	DISC & BEARING ASSEMBLY	8
4A	222081 **	Consists of: TAB, Bearing Cap	16
5	126603	DISC, 13" Plain	8
6	87138-S94	"O" RING, Bearing Seal	8
7	106801	BEARING ASSEMBLY	8
8	126602	HOUSING, Bearing	8
-	62231-S	RIVET, 1/4 x 1/2 Flat, C'Sunk Hd	12

Planter

FIG.	PART NO.	NAME AND DESCRIPTION	QTY. REQ.
8		<u>GROUP 3-2 SUPPORT, RUNNER & DISC PARTS (CONT.)</u>	12- 242 244
9	303275-S8	BOLT, 3/4-10 x 1 1/4 Hex	8
10	126601	CAP, Bearing	8
11	126961	ROD, Hilldrop Pull	4
12	222079	SCRAPER, Disc	8
13	127004	ARM, Gang Rod Lift	4
14	353647	PIN, 1/4 x 1 1/4 Roll, Arm to Rod	4
15	127051	TUBE, Seed, 3" from Center of Bracket to End	4
15	129938	TUBE, Seed, 4" from Center of Bracket to End(12-243)	4
--	125963	WASHER, Shim, .781 x 1.25 x 18 Gauge	24
16	126960	YOKE ASSEMBLY, Lift	4
		* Prior to) ** Eff. W) 1963 Production	

Planter

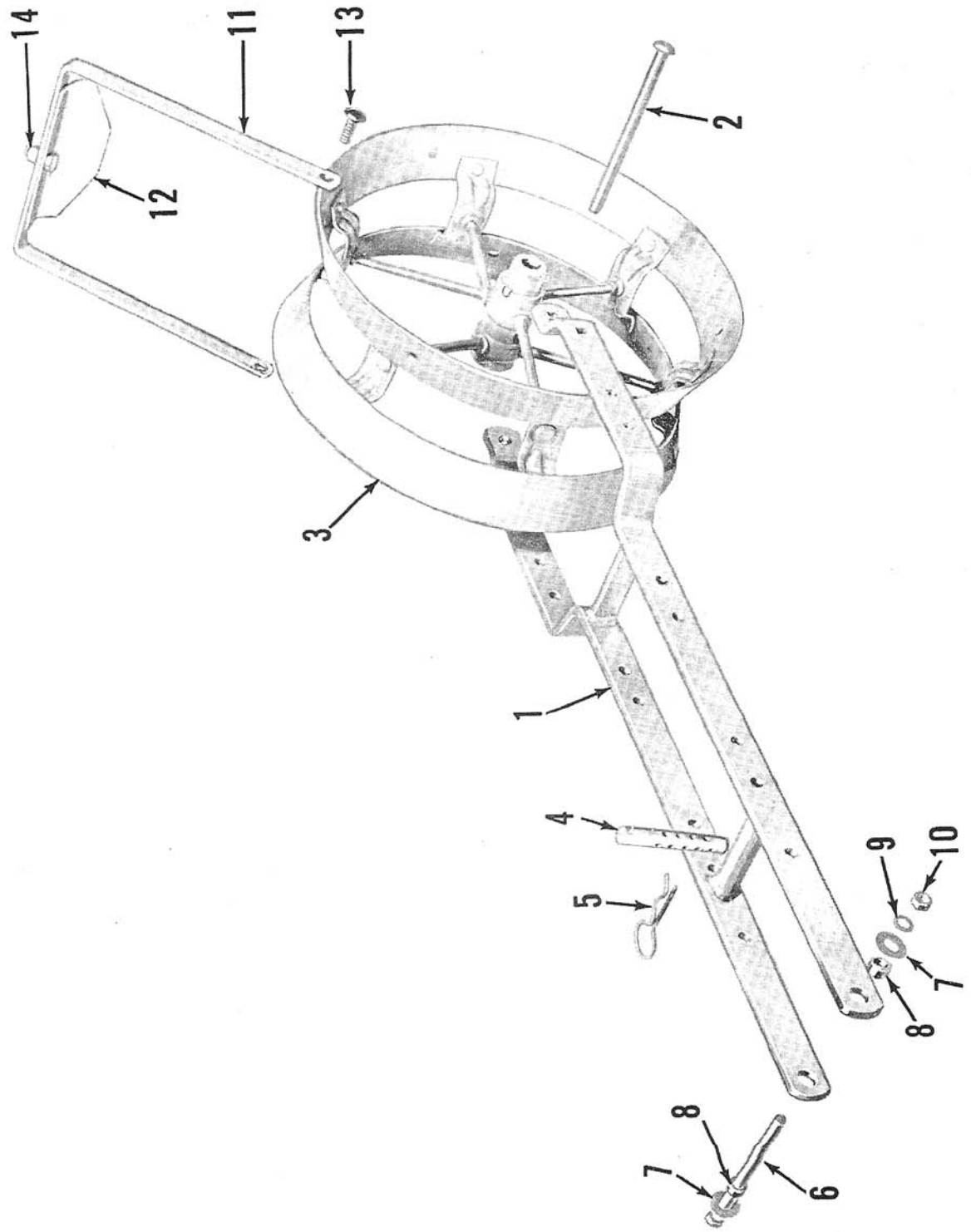


Figure 9 - Frame & Planter Wheel Parts

Planter

FIG.	PART NO.	NAME AND DESCRIPTION	QTY. REQ.
			12- 241 242 243 244
9		<u>GROUP 3-3 FRAME & PRESS WHEEL PARTS</u>	
1	127058	FRAME, Planter Wheel	4
2	306123-S8	BOLT, 5/8-11 x 9 1/2 Hex Hd) Wheel to Frame	4
-	33946-S8	NUT, 5/8-11 Hex	4
3	127044	WHEEL, 16" Planter	4
4	126948	PIN, Adjustment	4
5	111856	PIN, Hair	4
6	302742-S8	BOLT, 7/16-14 x 5 1/2 Hex Hd) Frame to Planter and	4
7	44731-S8	WASHER, 7/16 Flat	8
8	132068	BUSHING, Pivot	8
9	34808-S7	LOCKWASHER, 7/16 Runner Opener	4
10	34670-S8	NUT, 7/16-14 Hex	4
--	127216	TIRE, Press Wheel, 6.50-16 Semi-Pneumatic	4
			12- 257
	12-257	SCRAPER, 16" Planter Wheel	AR
11	127170	FRAME, Scraper	1
12	129551	SCRAPER, Planter Wheel	1
13	302363-S8	BOLT, 7/16-14 x 1 Carriage - Scraper Frame	2
14	303199-S8	BOLT, 7/16-14 x 1 Hex Hd - Scraper	1
--	34808-S7	LOCKWASHER, 7/16	3
--	34670-S8	NUT, 7/16-14 Hex	3

Planter

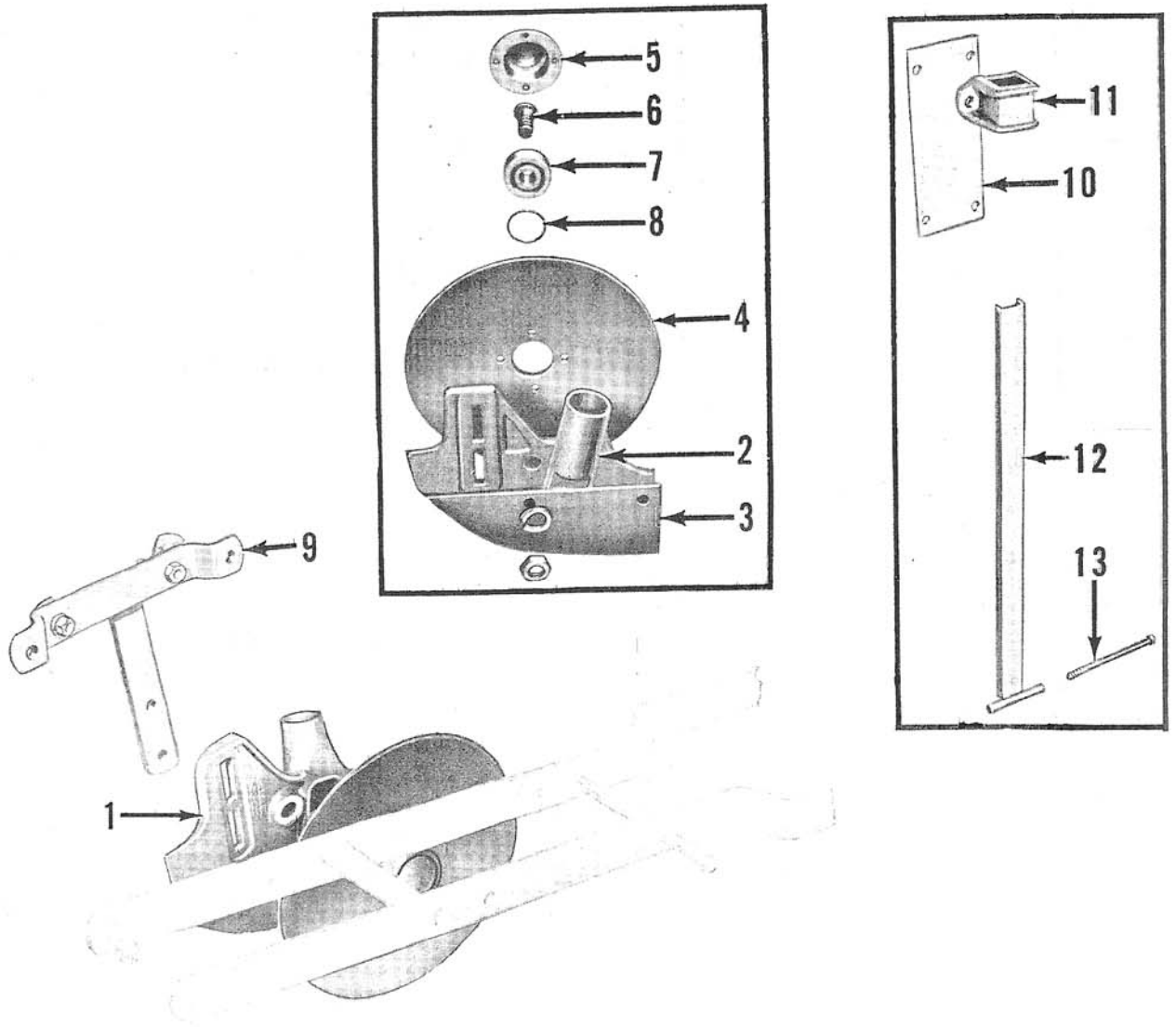


Figure 10 - Attachment Disc Fertilizer Opener

FIG.	PART NO.	NAME AND DESCRIPTION	QTY. REQ.
10		<u>GROUP 4-1 ATTACHMENT-DISC FERTILIZER OPENER</u>	<u>12-246</u>
1	127064	DISC & RUNNER ASSY., R.H	2
-	127065	DISC & RUNNER ASSY., R.H	2
		Consists of:	
2	127202	SUPPORT, Boot & Runner, RH	2
-	127203	SUPPORT, Boot & Runner, LH	2
3	222100	RUNNER, RH	2
-	222101	RUNNER, LH	2

Planter

FIG.	PART NO.	NAME AND DESCRIPTION	QTY. REQ.
10		<u>GROUP 4-1 ATTACHMENT-DISC FERTILIZER OPENER (Cont'd)</u>	12-246
4	106782	DISC, 11" Plain	4
5	106802	HOUSING, Bearing	4
6	126553	SPINDLE, Bearing	4
7	106801	BEARING ASSEMBLY	4
8	87138-S93	"O" RING	4
-	62231-S	RIVET, 1/4 x 1/2 Flat C'sunk Hd - Housing to Disc	16
-	34692-S8	NUT, 3/4 - 16 Hex Jam)	4
-	34813-S7	LOCKWASHER, 3/4) Disc to Support	4
-	302323-S8	BOLT, 7/16 - 1/4 x 1-1/2 Carr)	8
-	34808-S7	LOCKWASHER, 7/16) Disc to Runner	8
-	34670-S8	NUT, 7/16 - 1/4 Hex) to Arm	8
9	126850	ARM ASSEMBLY, Boot and Runner Support, Right	2
-	126851	ARM ASSEMBLY, Boot and Runner Support, Left	2
-	20508-S8	BOLT, 7/16 - 1/4 x 1-3/4 Hex	4
-	133280	WASHER	16
-	34808-S7	LOCKWASHER, 7/16	4
-	34670-S8	NUT, 7/16 - 1/4 Hex	4
10	127199	PLATE, Stabilizer Support	4
11	127200	SUPPORT, Stabilizer	4
12	126865	ARM, Stabilizer	4
13		BOLT, 7/16 - 1/4 x 6-1/2 Hex Hd)	4
--	34808-S7	LOCKWASHER, 7/16) Arm to Planter	4
--	34670-S8	NUT, 7/16 - 1/4 Hex)	4

Planter

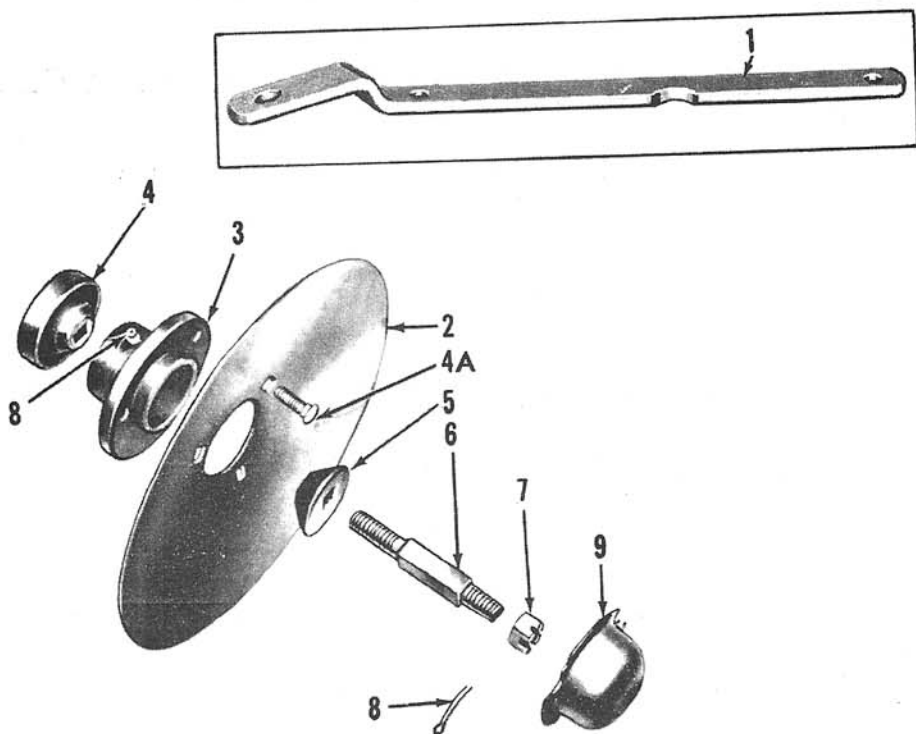


Figure 11 - Model 12-247 Disc Furrowing Attachment

FIG.	PART NO.	NAME AND DESCRIPTION	QTY. REQ.
11		<u>GROUP 4-2 ATTACHMENT, DISC FURROWING</u>	12-247
1	127009	BRACKET, Disc Mounting, Left	1
-	127008	BRACKET, Disc Mounting, Right	1
2	132938	DISC, 12"	2
3	132937	HUB, Bearing	2
4	132940	CAP, Bearing	2
-	34811-S7	LOCKWASHER, 5/8) Retain Cap & Bracket on Spindle	2
-	33850-S8	NUT, 5/8 - 18 Hex)	2
4A	300863-S8	BOLT, 5/16 - 18 x 1 Carr)	6
-	34806-S7	LOCKWASHER, 5/16) Disc to Hub	6
-	33797-S8	NUT, 5/16 - 18 Hex)	6
-	87901-S8	FITTING, 1/8 Lube - Straight	2
5	132936	BEARING, End	2
6	132935	SPINDLE, Disc Hiller	2
7	33987-S8	NUT, 5/8 - 18 Hex Slotted) Retain End Bearing on Spindle	2
8	72035-S8	COTTER PIN, 1/8 x 1)	2
9	132934	CAP, Hub	2

April, 1963

Planter

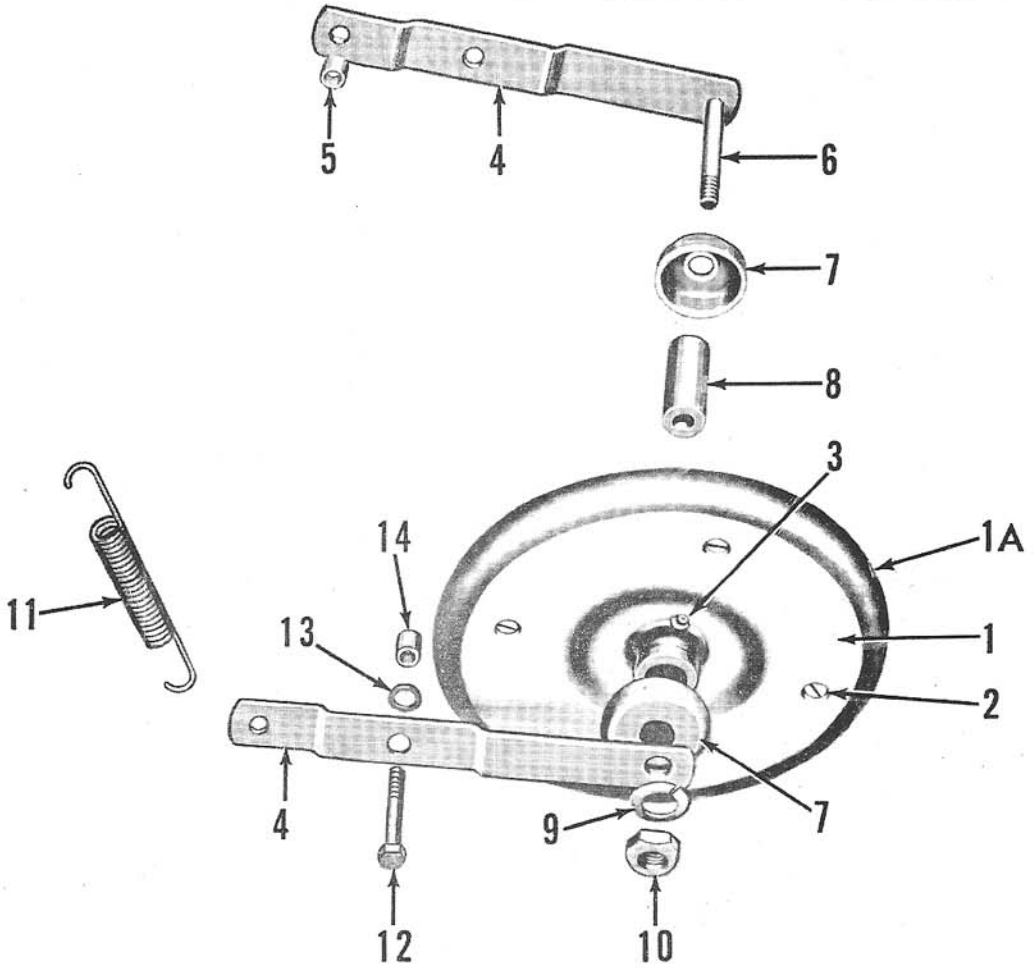


Figure 12 - Seed Press Wheel

FIG.	PART NO.	NAME AND DESCRIPTION	QTY. REQ.
12		<u>GROUP 4-3 ATTACHMENT, SEED PRESS WHEEL</u>	12-209
1	129521	WHEEL & TIRE ASSEMBLY, Seed Press	1
1A	128778	TIRE, Seed Press Wheel	1
2	24697-S	SCREW, 1/4 - 20 x 1 Flat Hd) Wheel	4
-	34129-S	NUT, 1/4 - 20 Square)	4
3	87908-S8	FITTING, Lube, 1/4 - 28 x 15/16 Str - Wheel	1
4	121498	ARM, Press Wheel	2
5	128562	SPACER, Arm	2
6	45550-S8	BOLT, 7/16 - 14 x 3-1/2 Hex Hd	1
7	133774	CAP, Dust	2
8	129518	SPACER, .5 x 1 x 2.25 Tube	1
9	34808-S7	LOCKWASHER, 7/16)	1
10	34670-S8	NUT, 7/16 - 14 Hex) Arm to Press Wheel	1
11	126999	SPRING, Press Wheel	2
12	302738-S8	BOLT, 7/16 - 14 - 4-1/2 Hex	1
13	44731-S8	WASHER, 7/16 Flat	4
14	124145	SPACER	2

Planter

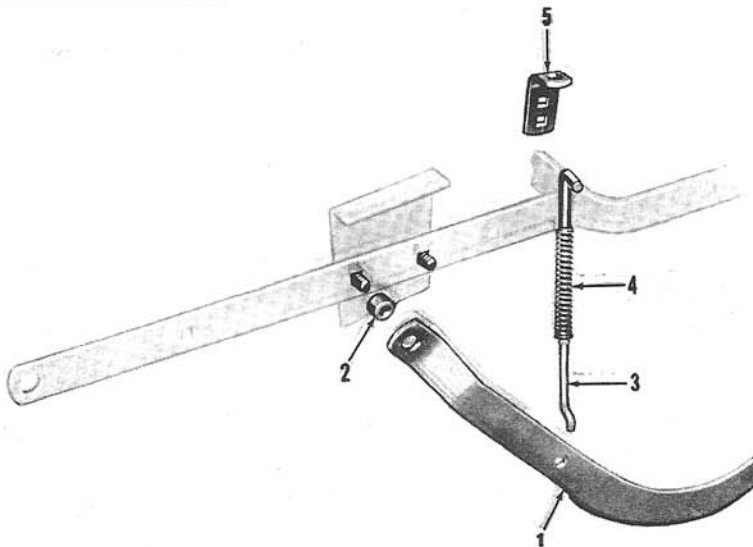


Figure 13 - Spoon Coverer

FIG.	PART NO.	NAME AND DESCRIPTION	QTY. REQ.
13		<u>GROUP 4-4 ATTACHMENT - SPOON COVERER</u>	12-211
-	126548	SPOON, Right	1
1	126549	SPOON, Left	1
2	128562	SPACER	2
-	302365-S8	BOLT, 7/16 - 1/4 x 1-1/4 Carr)	2
-	44732-S8	WASHER, 7/16 Flat	2
-	34808-S7	LOCKWASHER, 7/16	2
-	34670-S7	NUT, 7/16 - 1/4 Hex	2
		} Spoon to Planter Frame	
3	128579	ROD, Spoon Tension	2
4	110867	SPRING, Spoon Rod	2
-	44728-S8	WASHER, 3/8 Flat	2
5	128578	BRACKET, Spring	2
-	302363-S8	BOLT, 7/16 - 1/4 x 1 Carr)	2
-	34808-S7	LOCKWASHER, 7/16	2
-	34670-S7	NUT, 7/16 - 1/4 Hex	2
		} Bracket to Frame	

Planter

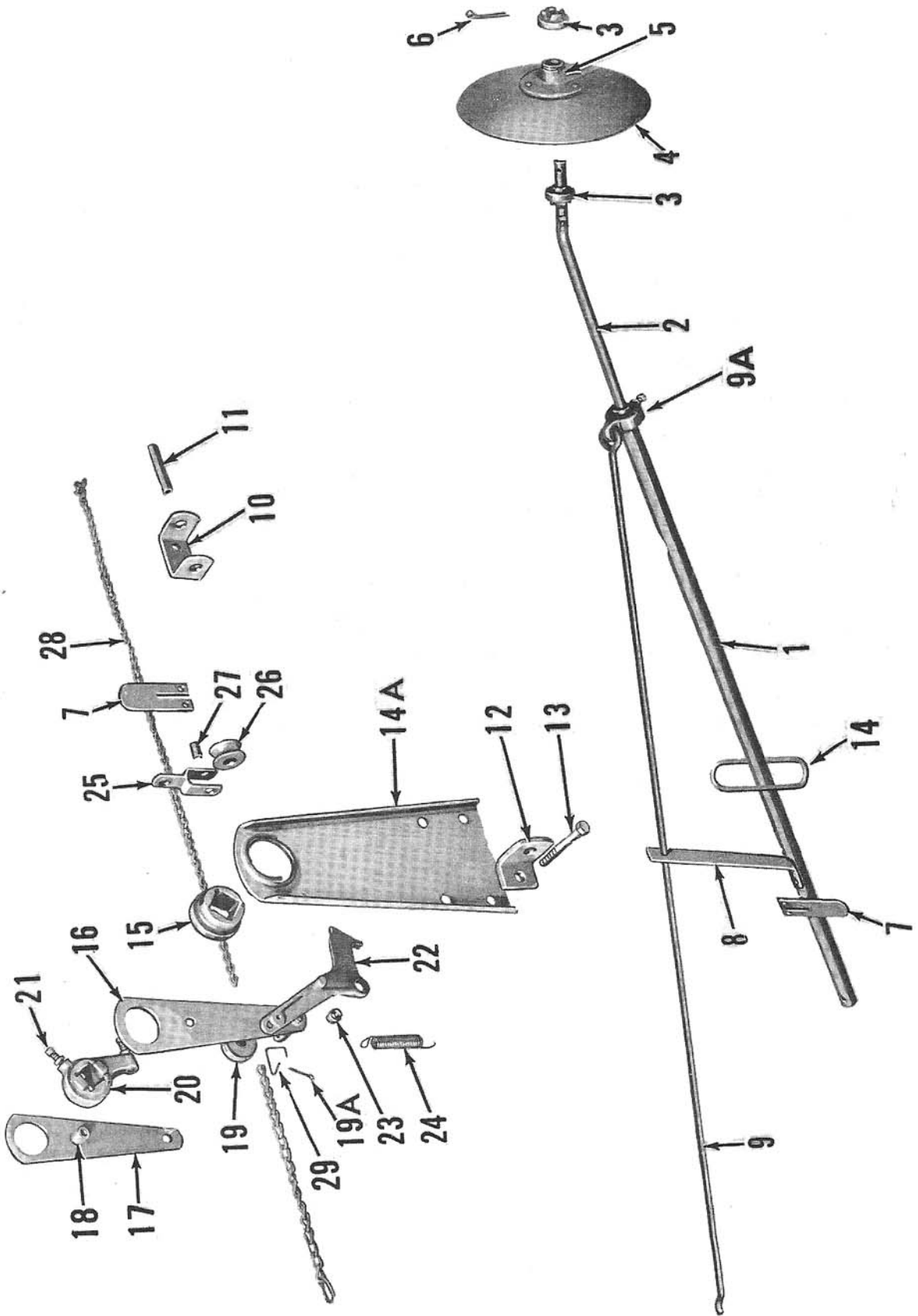


Figure 14 - Disc & Hook Markers

Planter

FIG.	PART NO.	NAME AND DESCRIPTION	QTY. REQ.			
			12-333	12-234	12-248	12-249
14		(12-233 Attachment - Four Row Hook (Markers - Wide Rows (12-234 Attachment - Four Row Hook (Markers - Narrow Rows Group 5-1 (12-248 Attachment - Disc Markers (Wide Rows (12-249 Attachment - Disc Markers (Narrow Rows				
1	127107	ARM, Marker	2		2	
-	127106	ARM, Marker		2		2
2	126519	ROD, Marker Adjusting			2	2
3	125910	COLLAR, Disc Marker			4	4
4	125907	DISC & HUB ASSEMBLY Consists of Disc and Hub below:			2	2
5	129921	HUB, Markers, Disc			2	2
-	87908-S8	FITTING, Lube, 1/4-28 x .69 Str . . .			2	2
6	72111-S8	COTTER PIN, 1/4 x 2 - Disc & Hub to Rod . .			4	4
7	127212	RETAINER, Chain	2	2	2	2
8	127219	STRAP, Rod	2		2	
9	127111	CLAMP ASSEMBLY, Truss Rod	2		2	
-	127110	CLAMP ASSEMBLY, Truss Rod		2		2
9A	129923	CLAMP, Rod	2	2	2	2
-	91456-S34	SCREW, 1/2-13 x 1 1/4 Cup Pt Sq Hd) Clamp to	2	2	2	2
-	33942-S8	NUT, 1/2-13 Hex Jam) Arm & Rod	2	2	2	2
-	303195-S8	BOLT, 5/16-18 x 1 Hex)	4	4	4	4
-	34806-S7	LOCKWASHER, 5/16) Retainer to Arm	4	4	4	4
-	33797-S8	NUT, 5/16-18 Hex)	4	4	4	4
10	127113	BRACKET, Marker, Rear	2	2	2	2
11	127103	SPACER	2	2	2	2
12	127112	BRACKET, Marker, Front	2	2	2	2
13	302738-S8	BOLT, 7/16-14 x 4 1/2 Hex)	2	2	2	2
--	44731-S8	WASHER, 7/16 Flat) Bracket and	2	2	2	2
--	34808-S7	LOCKWASHER, 7/16) Spacer to Arm	2	2	2	2
--	34670-S8	NUT, 7/16-14 Hex)	2	2	2	2
--	129783	ROD, 3/4 Dia x 46.00 Long	2	2		
--	128018	POINT, Marker	2	2		
14	129922	LINK, 1/4 x 1.75 x 8.50	2	2	2	2

Planter

FIG.	PART NO.	NAME AND DESCRIPTION	QTY. REQ.
		(12-241 Four Row Pull Hill Drop or Drill (W/Runner Opener	12- 241
		(12-242 Four Row Pull Hill Drop or Drill (W/Double Disc Opener	242 243
14		GROUP 5-1 (12-243 Four Row Pull Drill W/Runner Opener (12-244 Four Row Pull Drill W/Double (Disc Opener	244
14A	126968	SUPPORT, Rockshaft	2
15	131618	BEARING, Rockshaft	1
16	121473	ARM ASSEMBLY, Chain Lift	2
17	121472	ARM, Chain Lift	2
18	126537	SPACER, .50 x 7/8-1.00 Long	2
19	121468	PULLEY	2
19A	72053-S8	PIN, 1/8 x 1/4 Cotter - Pulley to Drilled Pin . . .	2
20	127215	STOP, Marker Chain, Lift	2
21	91515-S34	SET SCREW, 7/16-14 x 2 Sq Hd) Stop to Tool Bar	4
--	34689-S8	NUT, 7/16-14 Hex Jam) & Adjust Lift	4
22	126967	LATCH, Chain Lift	2
23	131351	BUSHING, Lift Rod to Bar	2
24	125658	SPRING, Idler Arm Tension	2
--	126964	PULLEY ASSEMBLY, Chain	2
		Consists of Arm plus items listed below:	
25	126962	YOKE ASSEMBLY	2
26	121468	PULLEY	2
27	128302	SPACER)	2
--	302724-S8	BOLT, 7/16-14 x 1 3/4 Hex) Planter & Runner to	2
--	34808-S7	LOCKWASHER, 7/16) Front Tool Bar	2
--	34670-S8	NUT, 7/16-14 Hex)	2
28	121467	CHAIN ASSEMBLY, Twist Link	2
--	127045	"U" BOLT) Planter & Runner	8
--	34808-S7	LOCKWASHER, 7/16) to	16
--	34670-S8	NUT, 7/16-14 Hex) Front Tool Bar	16
29	129932	RETAINER, Chain, Right	1
--	129933	RETAINER, Chain, Left	1

Planter

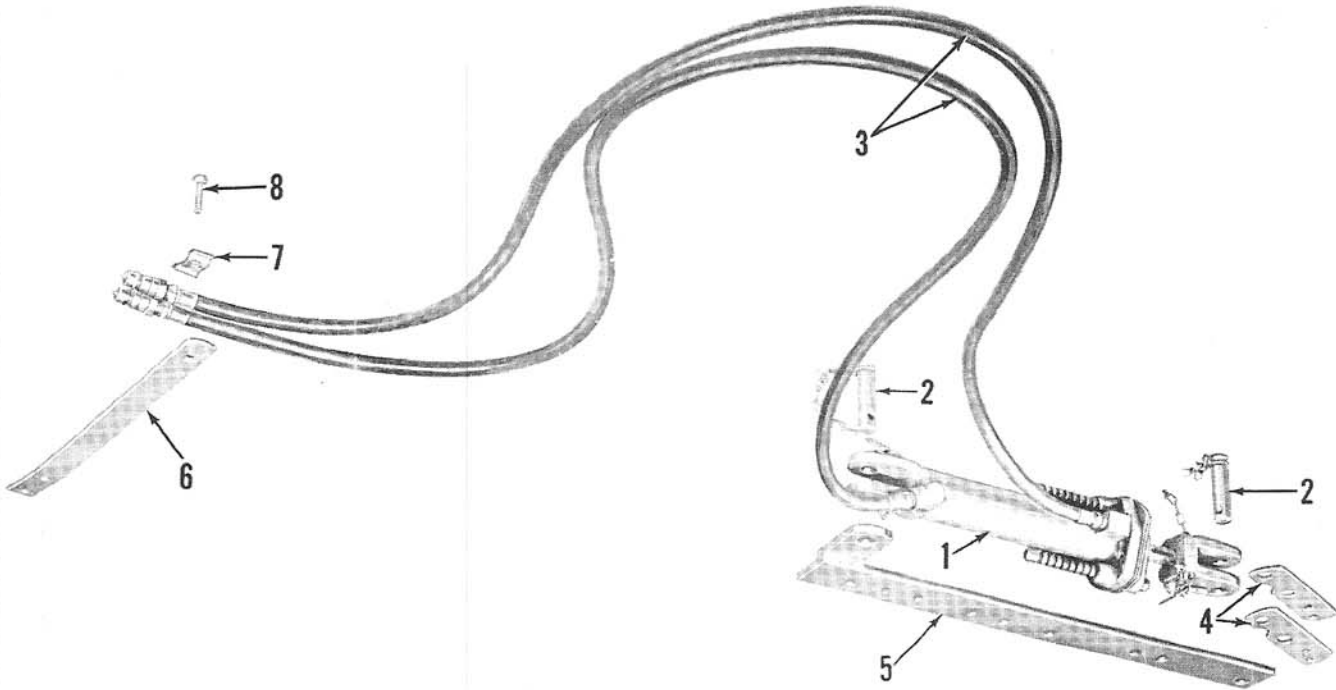


Figure 15 - Remote Control Parts

FIG.	PART NO.	NAME AND DESCRIPTION	QTY. REQ.
15		<u>GROUP 6-1 REMOTE CONTROL PARTS</u>	
-	CBPN-848-B	CYLINDER, See Accessories & Special Items Parts Book, PA-8205-5, pages 20C, D	AR
1	230560 N.S.	CYLINDER ASSEMBLY, Hydraulic Remote Control 2-1/4 Bore, 8" Stroke, 7500# thrust capacity, 1/2" Ports Double Acting Consists of:	AR
2	CONN-C896-A	PIN, Cylinder End Fitting	2
-	106000	CYLINDER ASSEMBLY, Hydraulic (Ref. One Row Cultivator Parts Book, PA-6996)	AR
3	230522	KIT, Remote Control Hose (Double Acting)	2
4	127088	PLATE, Cylinder Attaching	2
-	124824	PIN, Clevis)	1
-	141661	PIN, Hair) Plate to Arm	1
5	127086	ANCHOR ASSEMBLY, Cylinder	1
6	126983	SUPPORT	1
7	230705	CLIP	1
8	302333-S8	BOLT, 3/8-16 x 1 3/4 Carr.)	1
-	34807-S7	LOCKWASHER, 5/16) Clip	1
-	33799-S8	NUT, 3/8-16 Hex)	1

NUMERICAL INDEX

2N-608	Linch Pin Assy.	6	125963	Washer	23
CBPN-848-B	Cylinder	35	126470	Support	16
CONN-C896-A	Pin	35	126485	Rod	9
2N-1012	Nut	21	126519	Rod	33
8A-1201-C	Cone & Roller	20	126525	Bracket	9
8A-1202-B	Cup	20	126529	"U" Bolt	9
8A-1216-B	Cone & Roller	20	126530	Pinion	16
8A-1217-B	Cup	20	126531	Frame	6
100514	Cap	21	126537	Spacer	34
101534	Bearing	18	126538	Pin	6
101694	Spring	9	126548	Spoon	30
101732	Plate	18	126549	Spoon	30
101748	Hanger	18	126553	Spindle	27
101771	Bearing	9	126601	Cap	23
106000	Cylinder	35	126602	Housing	22
106782	Disc	27	126603	Disc	22
106801	Bearing	22,27	126604	Disc	22
106802	Housing	27	126625	Handle	19
109782	Disc	16	126707	Runner	22
110867	Spring	30	126751	Shutter	19
111856	Hair Pin	5,6,13,25	126752	Spout	19
114121	Collar	17	126791	Support	22
121194	Sprocket	10	126850	Arm Assy	27
121308	Gauge	19	126851	Arm Assy	27
121325	Support	19	126865	Arm	27
121384	Link	14	126877	Case	12
121399	Spacer	15	126898	Roller	10
121401	Pin	14	126921	Housing	14
121424	Coupling	10	126927	Latch	5
121426	Arm	9	126944	Brace	5
121466	Ring	5	126945	Bar	5
121467	Chain	34	126948	Pin	25
121468	Pulley	34	126951	Plate	15
121472	Arm	34	126952	Arm	22
121473	Arm	34	126954	Rod	15
121485	J Bolt	15	126955	Rod	17
121487	Spacer	17	126956	Arm	15
121498	Arm	29	126960	Yoke	23
124145	Spacer	29	126961	Rod	15,23
124824	Pin	35	126962	Yoke	34
125502	Pin	9	126964	Pulley	34
125658	Spring	34	126965	Bearing	5
125907	Disc	33	126967	Latch	5,34
125910	Collar	33	126968	Support	34

NUMERICAL INDEX

126969	Support	5	127034	Gear	12
126971	Bracket	9	127035	Gear	12
126972	Support	10,13	127037	Gear	13
126973	Support	9,13	127038	Bar Assy	5
126974	Bearing	10	127044	Wheel	25
126975	Support	13	127045	"U" Bolt	17,34
			127047	Tightener	17
126977	Arm	10	127049	Arm	17
126979	Support	6	127051	Tube	23
126980	Frame	5	127055	Shaft	19
126981	Frame	5	127056	Agitator	18
126983	Support	6,35	127058	Frame	25
			127064	Disc	26
126988	Support	9	127065	Disc	26
126989	Support	9	127070	Tube	21
126990	Clutch	9	127071	Sprocket	21
126991	Clutch	9	127072	Sprocket	9
126995	Rivet	9	127073	Sprocket	9
126998	Sprocket	9			
			127086	Anchor	35
126999	Spring	29	127088	Plate	35
127000	Shaft	10	127090	Rockshaft	5
127001	Yoke	9	127092	Strut	5
127002	Bracket	9	127094	Bracket	19
127003	Shaft	9	127095	Support	6,21
127004	Arm	23			
			127099	Sprocket	21
127006	Support	5,9	127100	Shaft	16
127007	Bearing	21	127101	Hopper	18
127008	Bracket	28	127103	Spacer	33
127009	Bracket	28	127106	Arm	33
127010	Sprocket	9	127107	Arm	33
127011	Sprocket	9			
			127110	Clamp	33
127020	Support	5	127111	Clamp	33
127021	Support	5	127112	Bracket	33
127022	Guide	6	127113	Bracket	33
127023	Guide	1	127114	Stud	21
127024	Shaft	13	127117	Gear	19,21
127025	Bolt	13			
			127118	Gear	19,21
127026	Shaft	12	127119	Support	5
127027	Shaft	12	127125	Shaft	13
127028	Cover	13	127133	Baffle	19
127029	Handle	12	127170	Frame	25
127030	Yoke	13	127199	Plate	27
127031	Bearing	13			
			127200	Support	27
127032	Spring	13	127201	Boot	14
127033	Bearing	13			

NUMERICAL INDEX

127202	Support	26	129938	Tube	23
127203	Support	26	129948	Pin	6
127205	Cam	12	129985	Case	12
127212	Retainer	33	129986	Runner	14
127213	Sprocket	12	129987	Shaft	10
127214	Sprocket	12	131351	Bushing	34
			131618	Bearing	34
127215	Stop	34	131620	Plate	5
127216	Tire	25	131621	"U" Bolt	5
127219	Strap	33	132068	Bushing	15,17,25,38
127250	Strap	9	132076	Spring	17
127251	Spring	10	132934	Cap	28
127255	Anchor	17	132935	Spindle	28
128018	Point	33	132936	Bearing	28
128035	Washer	10	132937	Hub	28
128302	Spacer	34	132938	Disc	28
128313	Chain	21	132940	Cap	28
128316	Lid	19	133158	Bearing	19
128562	Spacer	29,30	133280	Washer	27
128578	Bracket	30	133433	Bolt	9,19
128579	Rod	30	133445	Nut	6
128778	Tire	29	133774	Cap	29
128889	Washer	19	141661	Pin	35
129032	Collar	18	149300	Bearing	13
129041	Wheel	19	149848	Seal	20
129518	Spacer	29	149849	Rim & Disc	20
129521	Wheel	29	173048	Chain	21
129543	Lid	18	199775	Gear	16
129551	Scraper	25	221672	Clevis	6
129575	Sprocket	10,16	222079	Scraper	23
129783	Rod	33	222080	Disc & Bearing	22
129841	Spacer	10	222081	Tab	22
129878	Hose	19	222100	Runner	26
129921	Hub	33	222101	Runner	26
129922	Link	33	222115	Support	22
129923	Clamp	33	222134	Valve	14
129925	Frame	6	230522	Kit	35
129928	Arm	17	230705	Clip	6,35
129929	Spacer	9	240861	Hub	6,20
129930	Brace	15	300138-S34	Set Screw	18
129931	Brace	15	300863-S8	Bolt	28
129932	Retainer	34	302323-S8	Bolt	27
129933	Retainer	34	302333-S8	Bolt	6,35
129934	Arm	10	302345-S8	Bolt	5,10,15
129935	Tongue	1	302346-S8	Bolt	5,10

NUMERICAL INDEX

302354-S8	Bolt	19
302363-S8	Bolt	6,10,25,30
302365-S8	Bolt	30
302414-S8	Bolt	16
302658-S8	Bolt	21
302724-S8	Bolt	34
302731-S8	Bolt	5
302732-S8	Bolt	5,10,13
302736-S8	Bolt	15
302738-S8	Bolt	15,29,33
302742-S8	Bolt	25
302772-S8	Bolt	6
302774-S8	Bolt	6
303155-S8	Bolt	31
303173-S8	Bolt	15
303199-S8	Bolt	6,10,13,14,25
303201-S8	Bolt	5,6,9
303219-S8	Bolt	9,13
303241-S8	Bolt	6
303275-S8	Bolt	23
305054	Pin	13
305105	Pin	10,16
306123-S8	Bolt	25
351565-S8	Washer	19
352506-S	Pin	9
353647-S	Pin	23
354403-S7	Pin	10,12
357479-S8	Pin	19
359626-S	Pin	9

Planter

A PRODUCT OF



MOTOR COMPANY

DECALS

126721 "Ford " Oval, Red, 4.06 X 8.88

305238 "Ford" Oval, 3.25 X 9 .31

This Parts Book replaces the Series 311 Planter, PA-8323
dated December, 1960.